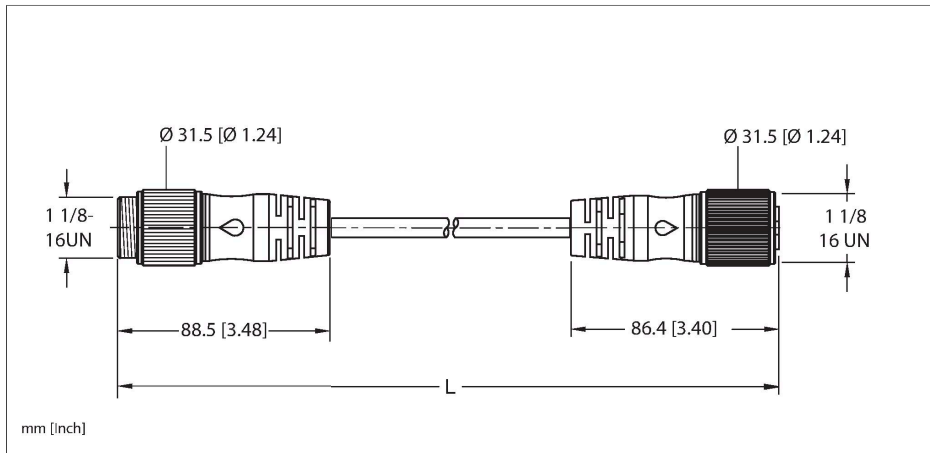


RSM RKM 106-8M/S1587

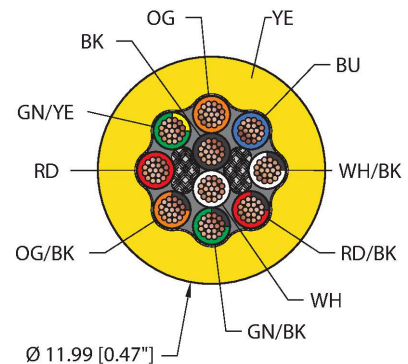
Actuator and Sensor Cable – Extension Cable



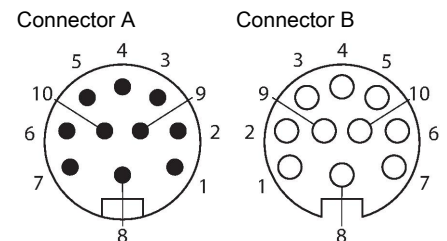
Features

-
- 1-1/8" Male, Straight, 10-pin
- 1-1/8" Female, Straight, 10-pin
- Instrumentation Tray Cable
- Yellow TPE jacket, 10X16 AWG
- Sunlight Resistant
- -40 Cold Bend Rating
- Oil Resistant
- Flame Ratings: UL 1685 FT4, UL1061, CSA FT4

Cable cross section



Contact assignment



Technische Daten

| | |
|---------------------------------|--------------------------------|
| Type | RSM RKM 106-8M/S1587 |
| ID | U2-00524 |
| Connector A | Male, 1 1/8"-16 UN, Straight |
| Number of contacts | 10 |
| Contacts | Brass, CuZn, Gold-plated |
| Contact carriers | Plastic, TPU, Yellow |
| Connector body | Plastic, TPU, Yellow |
| Coupling nut | Brass, CuZn, Nickel-plated |
| Tightening torque | 3 Nm |
| Mechanical life | > 100 Mating cycles |
| Pollution degree | 3 |
| Protection class (When coupled) | IP67, IP68, IP69, IP69K |
| | NEMA: 1, 3, 4, 6P, 12 |
| Connector B | Female, 1 1/8"-16 UN, Straight |
| Number of contacts | 10 |
| Contacts | Brass, CuZn, Gold-plated |
| Contact carriers | Plastic, TPU, Yellow |
| Connector body | Plastic, TPU, Yellow |
| Coupling nut | Brass, CuZn, Nickel-plated |
| Protection class (When coupled) | IP67, IP68, IP69, IP69K |
| | NEMA: 1, 3, 4, 6P, 12 |
| Cable data | |
| Cable ID | RF51015 |
| Total number of conductors | 10 |

Technische Daten

| | |
|-------------------------------|---|
| Cable diameter | Ø 11.99 mm |
| Length (L) | 8 m, (+50mm or 4% of length/-0.0, Whichever is greater) |
| Cable jacket | TPE, Yellow |
| Conductor diameter | 0.088 " |
| Conductor material | TC (tinned copper) |
| Conductor insulation material | PVC |
| Conductor size | 10 x 16 AWG [Similar to 1.50 mm ²] |
| Number of strands x O.D. | 19 x 0.0117 " |
| Conductor colors | OG, BU, WH/BK, RD/BK, GN/BK, OG/BK, RD, GN/YE, BK, WH |

| Electrical properties at +20 °C | |
|---------------------------------|-------|
| Rated voltage | 600 V |
| Current | 7 A |

| Mechanical and chemical properties | |
|-------------------------------------|---------------|
| Bending radius (static) | ≥ 5 x Ø |
| Bending radius (dynamic) | ≥ 10 x Ø |
| UL cold bend rating | -40 °C |
| Ambient temperature range (static) | -40...+105 °C |
| Ambient temperature range (dynamic) | 5...+105 °C |
| Temperature range (installation) | -10...+105 °C |

| Approval | |
|-----------|-----------------------|
| Approvals | UL 2238 CE RoHS |

| Note | |
|------|--|
| | - Flex ratings may be reduced if used in extreme temperatures, exposure to certain chemicals, operating above the rated cycle speed, or operating below the rated cable bend radius. |
| | - We reserve the right to make technical alterations without prior notice. |

Circuit Diagram

