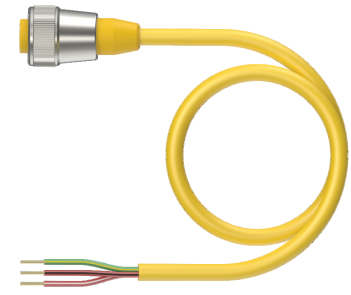
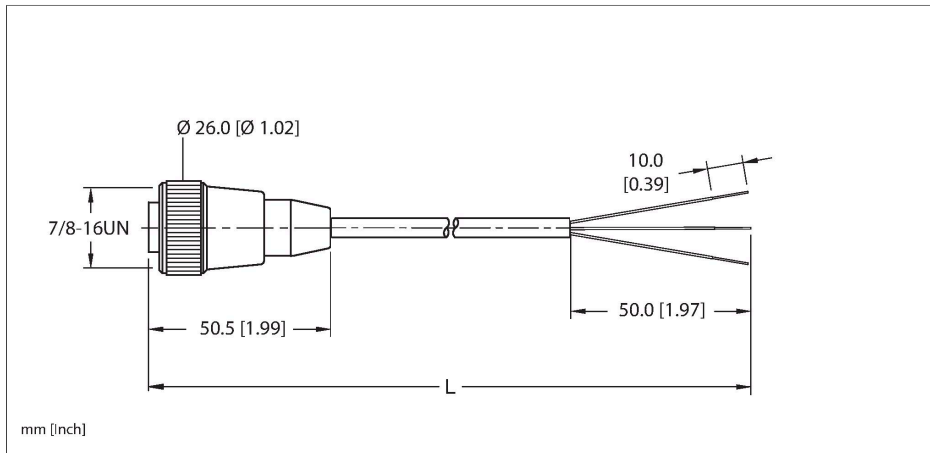


RKM 311-2M/S1587

Actuator and Sensor Cable – Connection Cable



Technische Daten

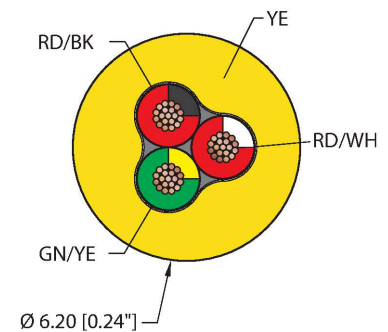
| | |
|---------------------------------|---|
| Type | RKM 311-2M/S1587 |
| ID | U2-02382 |
| Connector A | Female, 7/8"-16 UN, Straight |
| Number of contacts | 3 |
| Contacts | Brass, CuZn, Gold-plated |
| Contact carriers | Plastic, TPU, Yellow |
| Connector body | Plastic, TPU, Yellow |
| Coupling nut | Brass, CuZn, Nickel-plated |
| Tightening torque | 2 Nm |
| Mechanical life | > 100 Mating cycles |
| Pollution degree | 3 |
| Protection class (When coupled) | IP67, IP68, IP69, IP69K NEMA: 1, 3, 4, 6P, 12 |
| Cable data | |
| Cable ID | RF50957 |
| Total number of conductors | 3 |
| Cable diameter | Ø 6.2 mm |
| Length (L) | 2 m, (+50mm or 4% of length/-0.0, Whichever is greater) |
| Cable jacket | TPE, Yellow |
| Conductor diameter | 0.076 " |
| Conductor material | TC (tinned copper) |
| Conductor insulation material | PVC |
| Conductor size | 3 x 18 AWG [Similar to 0.75 mm ²] |
| Number of strands x O.D. | 19 x 0.0092 " |

Features



- 7/8" Female, Straight, 3-pin
- Instrumentation Tray Cable
- Yellow TPE jacket, 3X18 AWG
- Sunlight Resistant
- -40 Cold Bend Rating
- Oil Resistant
- Flame Ratings: UL 1685 FT4, UL1061, CSA FT4
- Flexlife® and C-Track Approved

Cable cross section

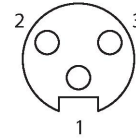


Contact assignment

Technische Daten

| | |
|---|--|
| Conductor colors | GN/YE, RD/BK, RD/WH |
| Electrical properties at +20 °C | |
| Rated voltage | 300 V |
| Current | 9 A |
| Mechanical and chemical properties | |
| Bending radius (static) | ≥ 5 x Ø |
| Bending radius (dynamic) | ≥ 10 x Ø |
| UL cold bend rating | -40 °C |
| Flex rating 20 x Ø | 10 million cycles |
| | *When properly installed @ 20°C, 50%RH, and a cycle speed of ≤0.5 cycles per second. |
| C-Track | Yes |
| Ambient temperature range (static) | -40...+105 °C |
| Ambient temperature range (dynamic) | 5...+105 °C |
| Temperature range (installation) | -10...+105 °C |
| Approval | |
| Approvals | UL 2238 CSA C22.2 No. 182.3 CE RoHS |
| Note | |
| | - Flex ratings may be reduced if used in extreme temperatures, exposure to certain chemicals, operating above the rated cycle speed, or operating below the rated cable bend radius. |
| | - We reserve the right to make technical alterations without prior notice. |

Connector A



Circuit Diagram

