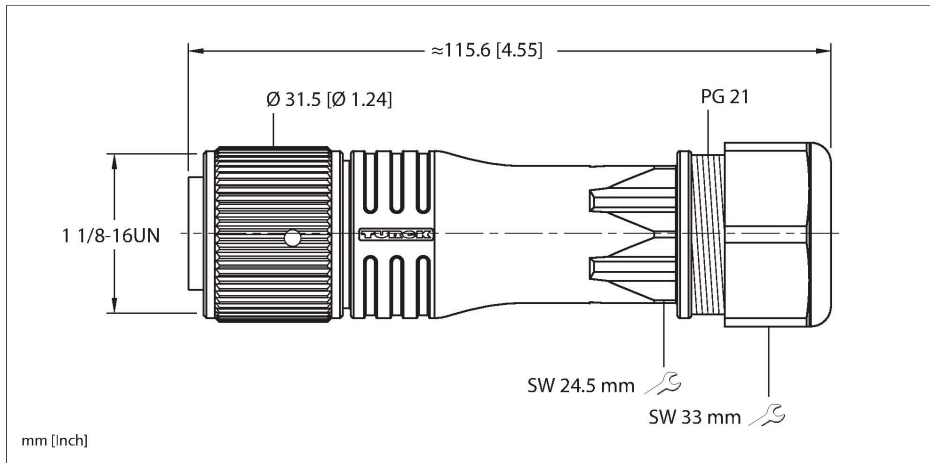


B 7191-0/21

Actuator and Sensor Field Wireable – 1 1/8" Connection

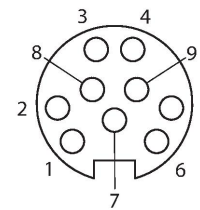


Features



- Screw terminal Wire Termination
- Plastic housing
- 1 1/8" Female, Straight, 9-pin
- Plastic Housing

Contact assignment



Technische Daten

Type	B 7191-0/21
ID	U2-04063
Connector A	Female, 1 1/8"-16 UN, Straight
Number of contacts	9
Contacts	Brass, CuSn, Gold-plated
Contact carriers	Plastic, PA, Black
Connector body	Plastic, PBT, Black
Coupling nut	Brass, CuZn, Nickel-plated
Acceptable cable diameter	13...18 mm
Core cross-section/terminal capacity	14 AWG
Connection mode	Screw/clamp connection
Mechanical life	> 50 Mating cycles
Pollution degree	3
Protection class (When coupled)	IP67
Electrical properties at +20 °C	
Rated voltage	600 V
Current	7 A
Mechanical and chemical properties	
Ambient temperature range (static)	-40...+105 °C
Note	

- We reserve the right to make technical alterations without prior notice.