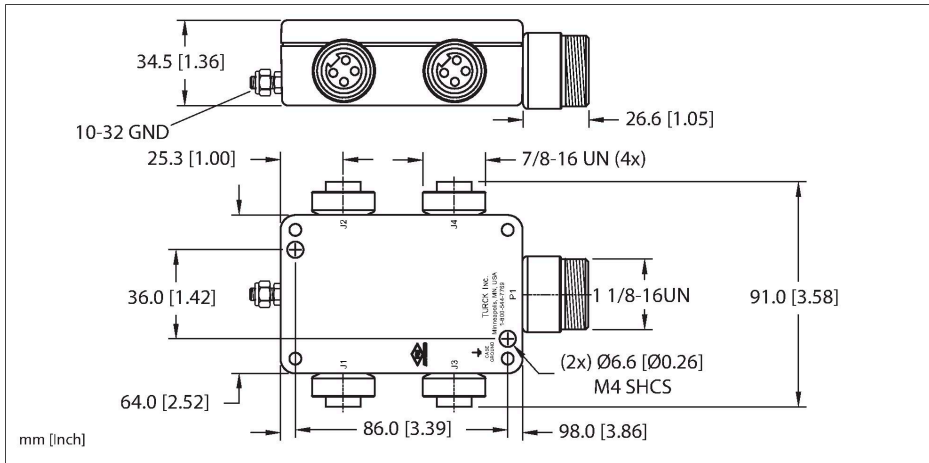


# P-4 RKFV 40-RSFV100

## Passive Actuator/Sensor Junction Box, 4 Ports – 7/8" minifast I/O Ports



### Technical data

Type	P-4 RKFV 40-RSFV100
ID	U2-04198
Distributed I/O	Junction box, 4 -port, with 1 1/8" homerun connector
Housing	Aluminum, Powder coating, Black
I/O Port	Female, 7/8"-16 UN
Number of contacts	4
Contacts	Brass, CuZn, Gold-plated
Contact carriers	Plastic, TPU, Black
Housing material/finish	Brass, CuZn, Nickel-plated
Tightening torque	2 Nm
Mechanical life	> 100 Mating cycles
Protection class (When coupled)	IP67
Homerun connector	Male, 1 1/8"-16UN, Side exit
Connector B	1 1/8"-16 UN
Number of contacts	10
Contacts	Brass, CuZn
Contact carriers	Plastic, TPU, Yellow
Housing material/finish	Stainless Steel, 1.4401 (AISI 316), Passivated
Tightening torque	3 Nm
Mechanical life	> 100 Mating cycles
Protection class (When coupled)	IP67

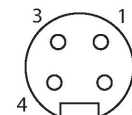
### Features



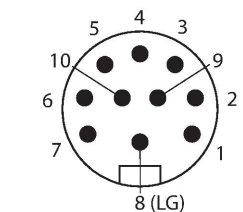
- 7/8" minifast Junction Box
- 4 ports
- Side exit 1 1/8" minifast home run connector
- Aluminum housing
- I/O port: 4-pin

### Contact assignment

I/O Connector



Homerun connector



Technical data

Electrical properties at +20 °C	
Rated voltage	300 V
Current	8 A Per port
Mechanical and chemical properties	
Ambient temperature range (static)	-40...+80 °C
Approvals	FM Div.1 FM Div.2
Note	
- CAUTION: RISK OF ELECTRICAL SHOCK. DO NOT DISCONNECT UNDER LOAD.	
- We reserve the right to make technical alterations without prior notice.	

Circuit Diagram

