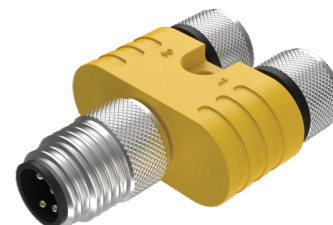
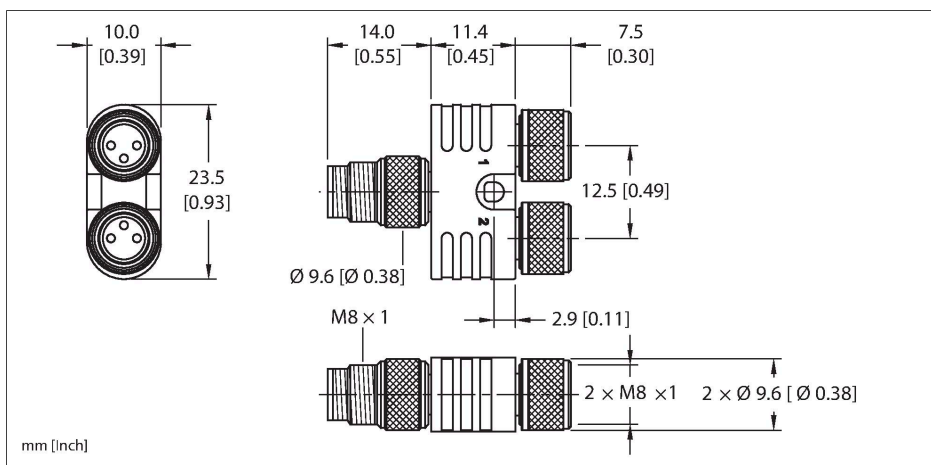


# YP2-MFS 3/2MFK 3/S651

## Actuator and Sensor Splitter – M8 Splitter 3-Wire



### Technische Daten

Type	YP2-MFS 3/2MFK 3/S651
ID	U2-12187
Distributed I/O	Splitter, 2 -port
Housing	Plastic, TPU, Yellow
Connector A	Male, M8 × 1
Design specification	Acc. to IEC 61076-2-104
Number of contacts	3
Contacts	Brass, CuZn, Gold-plated
Contact carriers	Plastic, Nylon or TPU, Black
Connector body	Plastic, TPU, Yellow
Coupling nut	Brass, CuZn, Nickel-plated
Tightening torque (range)	0.4 ... 0.8 Nm (note max. torque of mating connector!)
Mechanical life	> 100 Mating cycles
Pollution degree	3
Protection class (When coupled)	IP67
Connector B	Female, M8 × 1
Design specification	Acc. to IEC 61076-2-104
Number of contacts	3
Contacts	Brass, CuZn, Gold-plated
Contact carriers	Plastic, Nylon or TPU, Black
Connector body	Plastic, TPU, Yellow
Coupling nut	Brass, CuZn, Nickel-plated

### Features



- Close coupled
- M8, Male, Straight, 3-pin
- Threaded connector
- Parallel wiring
- 2x M8, Female, Straight, 3-pin
- Threaded connector

### Contact assignment

Connector A

Connector B



## Technische Daten

Seal	O-ring, Plastic, FKM/FPM
Tightening torque	0.8 Nm
Mechanical life	> 100 Mating cycles
Pollution degree	3
Protection class (When coupled)	IP67
<b>Cable data</b>	
<b>Electrical properties at +20 °C</b>	
Rated voltage	125 VAC/DC
Current	2 A
<b>Mechanical and chemical properties</b>	
Ambient temperature range (static)	-30...+80 °C
Approvals	RoHS UL Listed CE
<b>Note</b>	
- We reserve the right to make technical alterations without prior notice.	

## Circuit Diagram

