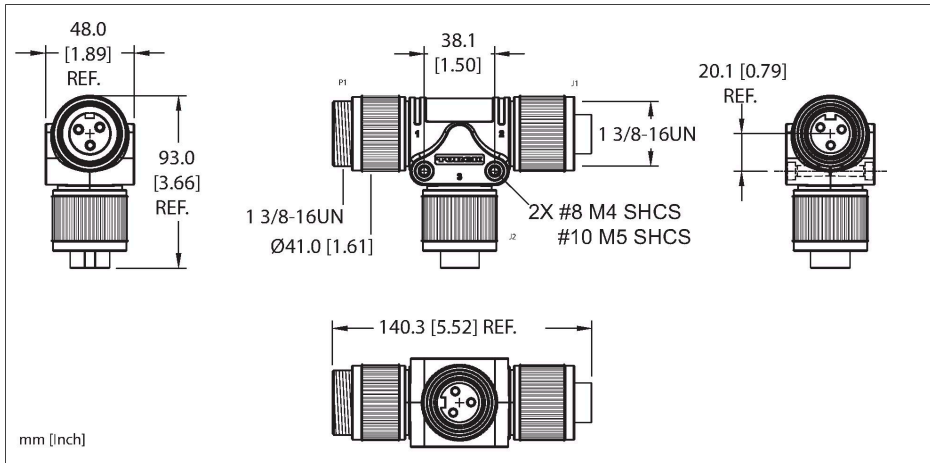


GSDA/2GKDA 30

Power Splitters – T-Splitter

3-Wire



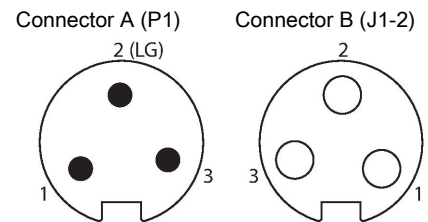
Features

-    
- 1-3/8" Male, Straight, 3-pin
- 2x 1-3/8", Female, Straight, 3-pin

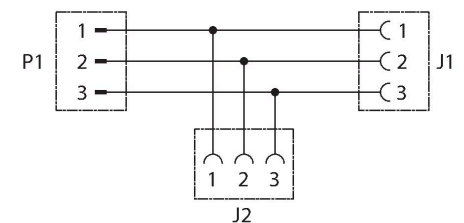
Technical data

Type	GSDA/2GKDA 30
ID	U2-15108
Distributed I/O	T-splitter, 2 -port
Housing	Plastic, PVC, Black
Connector A	Male, 1 3/8"-16 UN
Number of contacts	3
Contacts	Brass, CuZn, Gold-plated
Contact carriers	Plastic, PVC, Black
Coupling nut	Aluminum, Anodized
Mechanical life	> 100 Mating cycles
Pollution degree	3
Protection class (When coupled)	IP67, IP68, IP69K, When coupled
	NEMA: 1, 3, 4, 6P
Connector B	2 x Female, 1 3/8"-16 UN
Number of contacts	3
Contacts	Brass, CuZn, Gold-plated
Contact carriers	Plastic, PVC, Black
Coupling nut	Aluminum, Anodized
Mechanical life	> 100 Mating cycles
Pollution degree	3
Protection class (When coupled)	IP67, IP68, IP69K, Only when screwed together
	NEMA: 1, 3, 4, 6P

Contact assignment



Circuit Diagram



Technical data

Electrical properties at +20 °C

Rated voltage	600 V
---------------	-------

Current	40 A
---------	------

Mechanical and chemical properties

Ambient temperature range (static)	-40...+90 °C
------------------------------------	--------------

Ambient temperature range (dynamic)	-40...+90 °C
-------------------------------------	--------------

Approvals	RoHS UL Listed CE CSA
-----------	--------------------------------

Note

- CAUTION: RISK OF ELECTRICAL SHOCK. DO NOT DISCONNECT UNDER LOAD.

- We reserve the right to make technical alterations without prior notice.