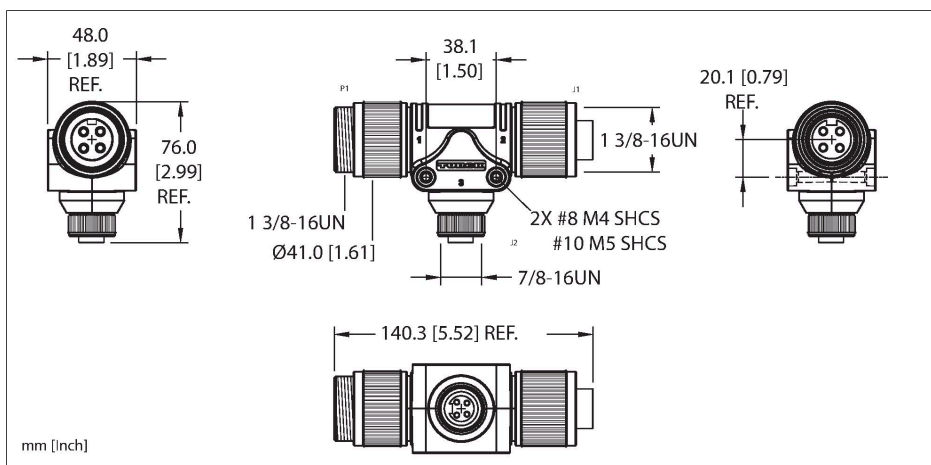


# GSDA/GKDA/RKM 44

## Power Splitters – T-Splitter

### 4-Wire



### Features

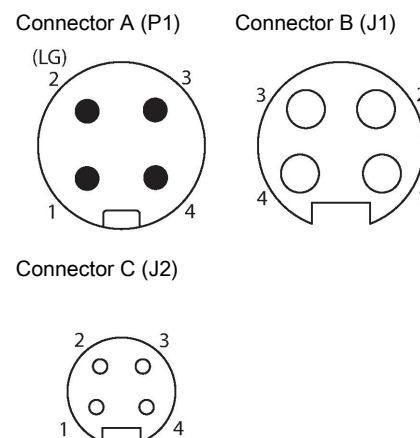


- 1-3/8" Male, Straight, 4-pin
- 1-3/8" Female, Straight, 4-pin
- 7/8" Female, straight, 4-pin

### Technical data

Type	GSDA/GKDA/RKM 44
ID	U2-15537
Distributed I/O	T-splitter, 2 -port
Housing	Plastic, PVC, Black
Connector A	Male, 1 3/8"-16 UN
Number of contacts	4
Contacts	Brass, CuZn, Gold-plated
Contact carriers	Plastic, PVC, Black
Coupling nut	Aluminum, Anodized
Mechanical life	> 100 Mating cycles
Pollution degree	3
Protection class (When coupled)	IP67, IP68, IP69K, When coupled
	NEMA: 1, 3, 4, 6P
Connector B	Female, 1 3/8"-16 UN
Number of contacts	4
Contacts	Brass, CuZn, Gold-plated
Contact carriers	Plastic, PVC, Black
Coupling nut	Aluminum, Anodized
Mechanical life	> 100 Mating cycles
Pollution degree	3
Protection class (When coupled)	IP67, IP68, IP69K, Only when screwed together
	NEMA: 1, 3, 4, 6P

### Contact assignment



GSDA/GKDA/RKM 44 | 01/15/2026 17-49 | technical changes reserved

## Technical data

Connector C	Female, 7/8"-16 UN, Straight
Number of contacts	4
Contacts	Brass, CuZn, Gold-plated
Contact carriers	Plastic, PVC, Black
Coupling nut	Brass, CuZn, Nickel-plated
Mechanical lifespan	> 100 Mating cycles
Pollution degree	3
Protection class (When coupled)	IP67
	NEMA: 1, 3, 4, 6P
<b>Electrical properties at +20 °C</b>	
Rated voltage	600 V
Current	35 A (COMBINED) / 18 A (J2)
<b>Mechanical and chemical properties</b>	
Ambient temperature range (static)	-40...+90 °C
Ambient temperature range (dynamic)	-40...+90 °C
Approvals	RoHS UL Listed CE CSA
<b>Note</b>	
	- CAUTION: RISK OF ELECTRICAL SHOCK. DO NOT DISCONNECT UNDER LOAD.
	- We reserve the right to make technical alterations without prior notice.

## Circuit Diagram

