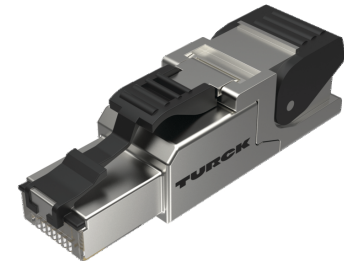
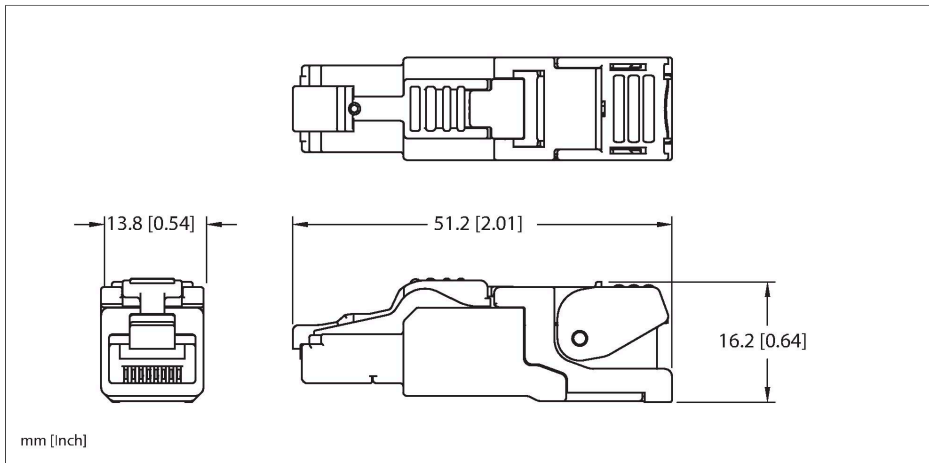


# CONNECTOR, FW,RJ45S 84 IDC

## Ethernet Field Wireable



### Technische Daten

Type	CONNECTOR, FW,RJ45S 84 IDC
ID	U2-18467
Connector A	Male, RJ45, Straight
Number of contacts	8
Contacts	Metal, CuBe, Gold-plated
Contact carriers	Plastic, PC UL94-V0, Transparent
Connector body	Die-cast Zinc
Acceptable cable diameter	5...9 mm
Core cross-section/Clamping ability	1...1.5 mm <sup>2</sup>
Core cross-section/terminal capacity	24...22 AWG
Connection mode	Insulation displacement terminal
Mechanical life	> 750 Mating cycles
Protection class (When coupled)	IP20, (plugged)
Fieldbus	Ethernet
<b>Electrical properties at +20 °C</b>	
Rated voltage	42 V
Current	1 A
<b>Mechanical and chemical properties</b>	
Ambient temperature range (static)	-40...+85 °C
<b>Note</b>	
- We reserve the right to make technical alterations without prior notice.	

### Features



- Insulation Displacement Termination
- Die-cast Zinc Housing
- For use in Ethernet applications, CAT5, CAT6A
- RoHS compliant
- Protection class IP20
- RJ45, Male, Straight, 8-pin, Shielded
- Cable feedthrough 5.0...9.0 mm

### Contact assignment



### Circuit Diagram

PIN	T568A	T568B	PROFINET
1	WH/GN	WH/OG	YE
2	GN	OG	OG
3	WH/OG	WH/GN	WH
4	BU	BU	-
5	WH/BU	WH/BU	-
6	OG	GN	BU
7	WH/BN	WH/BN	-
8	BN	BN	-

CONNECTOR, FW,RJ45S 84 IDC | 22-02-2025 01-47 | Technische Änderungen vorbehalten