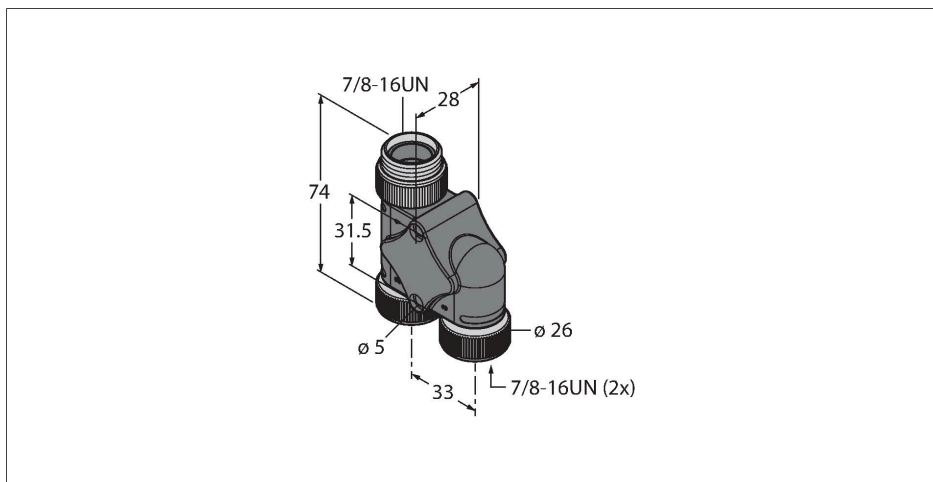


# XSH-RSM-2RKM 30

## 2-Way Splitter – Small h body

### 3-Wire

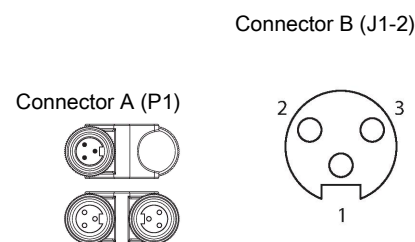


#### Features



- 7/8" connector
- Male – 2 x female, 3-pin
- Wired in parallel
- cULus listed
- RoHS-compliant
- Protection class: NEMA 1, 3, 4, 6P and IEC IP67
- 7/8" Male, Straight, 3-pin
- 2x 7/8", Female, Straight, 3-pin

#### Contact assignment



#### Technische Daten

Type	XSH-RSM-2RKM 30
ID	U2-23665
Distributed I/O	h-splitter, 2 -port
Housing	Plastic, TPU, Black
Connector A	Male, 7/8"-16 UN
Number of contacts	3
Contacts	Brass, CuZn, Gold-plated
Contact carriers	Plastic, TPU, Black
Coupling nut	Brass, CuZn, Nickel-plated
Mechanical life	> 100 Mating cycles
Pollution degree	3
Protection class (When coupled)	IP67, When coupled
	NEMA: 1, 3, 4, 6P
Connector B	Female, 7/8"-16 UN
Number of contacts	3
Contacts	Brass, CuZn, Gold-plated
Contact carriers	Plastic, TPU, Black
Coupling nut	Brass, CuZn, Nickel-plated
Seal	Plastic
Mechanical life	> 100 Mating cycles
Pollution degree	3
Protection class (When coupled)	IP67, Only when screwed together

Technische Daten

NEMA: 1, 3, 4, 6P

Electrical properties at +20 °C	
Rated voltage	600 V
Current	9 A
Insulation resistance	$\geq 10^8 \Omega$
forward resistance	$\leq 5 \text{ m}\Omega$
Mechanical and chemical properties	
Ambient temperature range (static)	-40...+105 °C
Ambient temperature range (dynamic)	-40...+105 °C
Approvals	RoHS UL Listed CE
Note	
- We reserve the right to make technical alterations without prior notice.	

Circuit Diagram

