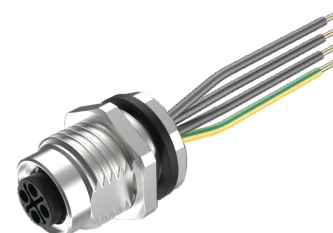
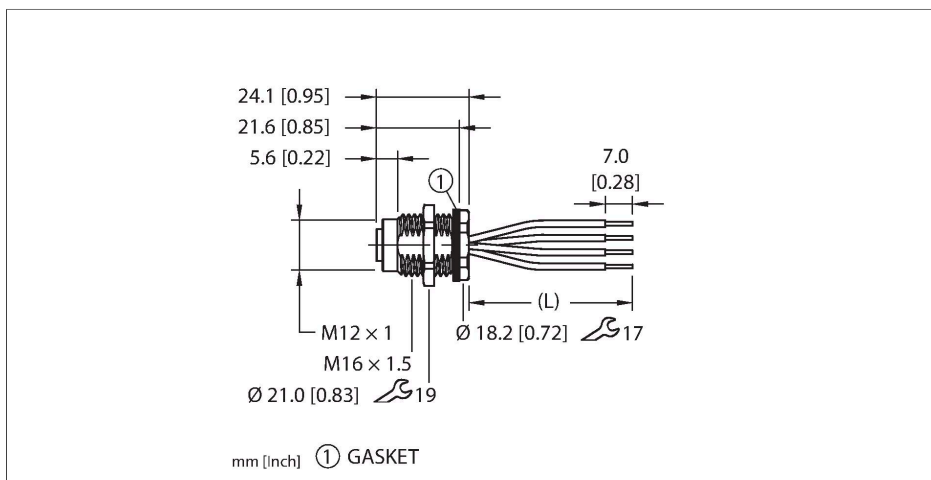


# FKFD46PS-0.5/M16

## M12 Power Receptacle – Rear Mount



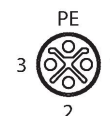
### Features



- M12 female connector, S-coded, 3-pin + PE
- Mounting thread: M16 x 1.5

### Contact assignment

Connector A



### Circuit Diagram



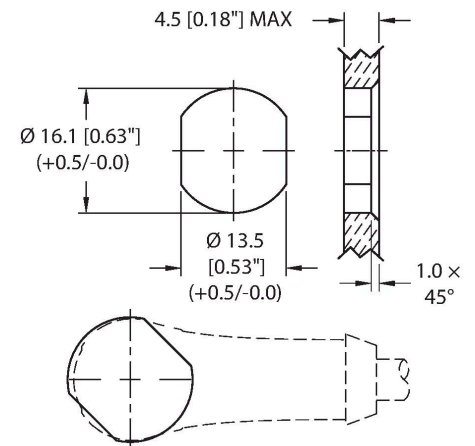
### Technische Daten

|                                 |   |
|---------------------------------|---|
| Type                            | FKFD46PS-0.5/M16  |
| ID                              | U2-28512  |
| Connector A                     | Female, M12 × 1, S-code                                   |
| Design specification            | Acc. to IEC 61076-2-111                                   |
| Number of contacts              | 3+PE  |
| Contacts                        | Brass, CuZn, Gold-plated                                  |
| Contact carriers                | Plastic, PA, Black  |
| Connector seal                  | O-ring, Plastic, FKM/FPM                                  |
| Housing material/finish         | Brass, CuZn, Nickel-plated                                |
| Tightening torque (range)       | 0.4 ... 1 Nm<br>(note max. torque of mating connector!)   |
| Mounting orientation            | Rear mount  |
| Panel seal                      | Gasket, Rubber, NBR                                       |
| Mounting thread                 | M16 × 1.5   |
| Locknut                         | Brass, CuZn, Nickel-plated                                |
| Receptacle mounting torque      | 2.5...7.3 Nm  |
| Mechanical life                 | > 100 Mating cycles                                       |
| Pollution degree                | 3   |
| Protection class (When coupled) | IP67, IP68<br>NEMA: 1, 3, 4, 6P                           |
| <b>Conductor data</b>           |   |
| Total number of conductors      | 4   |
| Length (L)                      | 0.5 m, (+50mm or 4% of length/-0.0, Whichever is greater) |

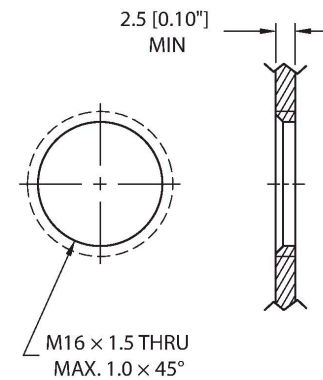
## Technische Daten

|  |   |
|--|---|
| Conductor material   | TC (tinned copper)                            |
| Conductor insulation material  | PVC   |
| Conductor size   | 4 x 16 AWG [Similar to 1.50 mm <sup>2</sup> ] |
| Conductor colors   | BK1, BK2, BK3, GNYE                           |
| <b>Electrical properties at +20 °C</b>                                     |   |
| Rated voltage  | 600 V   |
| Current  | 12 A  |
| <b>Mechanical and chemical properties</b>                                  |   |
| Ambient temperature range (static)   | -40...+85 °C                                  |
| Approvals  | cULus recognized                              |
| <b>Note</b>  |   |
| - CAUTION: RISK OF ELECTRICAL SHOCK. DO NOT DISCONNECT UNDER LOAD.         |   |
| - We reserve the right to make technical alterations without prior notice. |   |

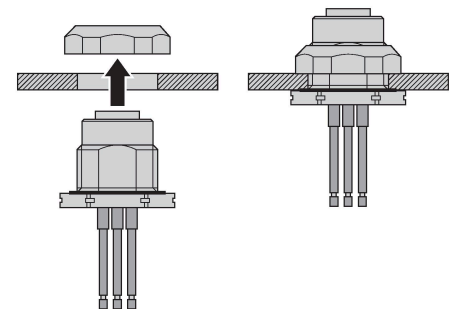
### Mounting hole - Through



### Mounting hole - Threaded



### Rear-mounted

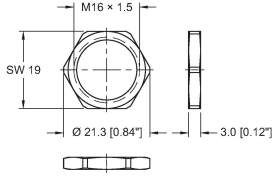


Montagezubehör

**LOCKNUT-M16-BRASS-(10/BAG)**

**A9579**

Locknut, M16, Brass, Nickel-plated, 10 per bag



**DECAL,9-CLRS,RECEPT+BOXES,EURO(QTY1)**

**100008955**



1 decal sticker containing 9 different color sets of 11 decals to color code a sensor, junction block port, cable end, or receptacle. 5ct 4x9mm rectangles, 4ct 8x19mm rectangles, 1ct 27mm ID ring, 1ct 20mm ID ring.

