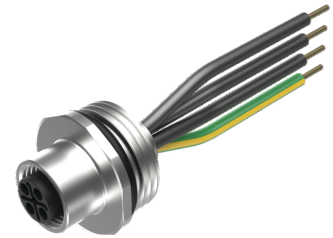
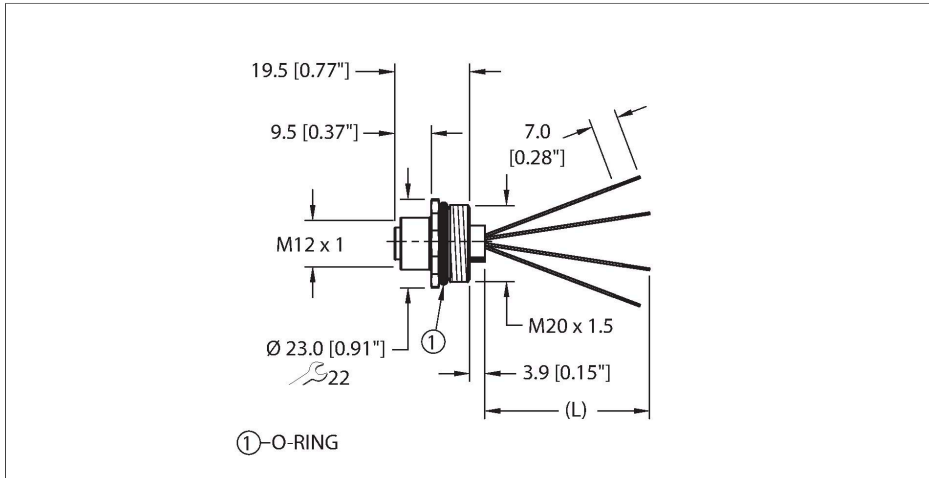


FK46PS-0.5/M20

M12 Power Receptacle – Front Mount



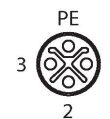
Features



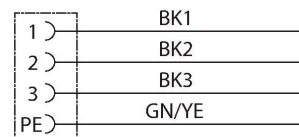
- Female M12 powerfast Receptacle
- M12 Power, Female, Receptacle, Front mount, 4-pin, S-code
- Mounting thread: M20 × 1.5

Contact assignment

Connector A



Circuit Diagram



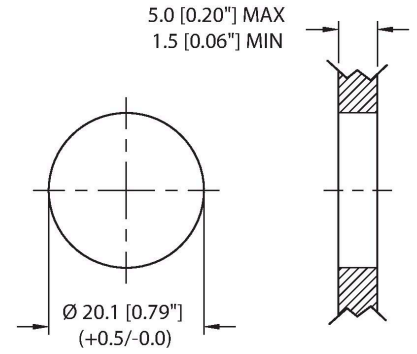
Technical data

Type	FK46PS-0.5/M20
ID	U2-28515
Connector A	Female, M12 × 1, S-code
Design specification	Acc. to IEC 61076-2-111
Number of contacts	4
Contacts	Brass, CuZn, Gold-plated
Contact carriers	Plastic, PA, Black
Connector seal	O-ring, Plastic, FKM/FPM
Housing material/finish	Brass, CuZn, Nickel-plated
Tightening torque (range)	0.4 ... 1 Nm (note max. torque of mating connector!)
Mounting orientation	Front mount
Panel seal	O-ring, NBR
Mounting thread	M20 × 1.5
Receptacle mounting torque	3.5...9.6 Nm
Mechanical life	> 100 Mating cycles
Pollution degree	3
Protection class (When coupled)	IP68
	NEMA: 1, 3, 4, 6P
Conductor data	
Total number of conductors	4
Length (L)	0.5 m, 0.5 m, (+50mm or 4% of length/-0.0, Whichever is greater)
Conductor material	TC (tinned copper)

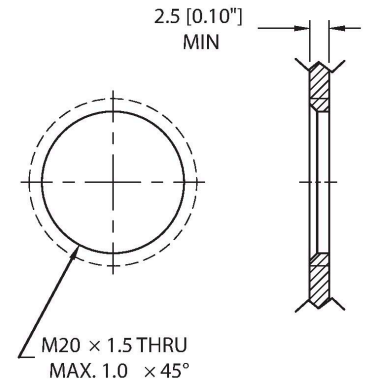
Technical data

Conductor insulation material	PVC
Conductor size	4
Conductor colors	BK1, BK2, BK3, GN/YE
Electrical properties at +20 °C	
Rated voltage	600 V
Current	12 A
Mechanical and chemical properties	
Ambient temperature range (static)	-40...+85 °C
Note	
<p>- CAUTION: RISK OF ELECTRICAL SHOCK. DO NOT DISCONNECT UNDER LOAD.</p> <p>- We reserve the right to make technical alterations without prior notice.</p>	

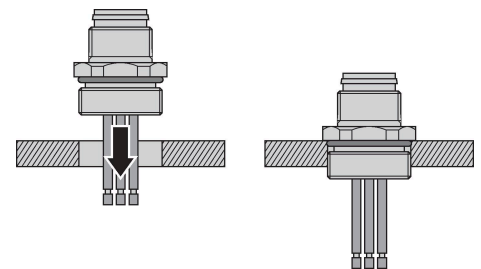
Mounting hole - Through



Mounting hole - Threaded



Front panel mounting

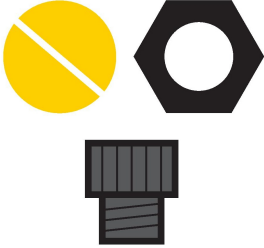


FK46PS-0.5/M20 | 01/17/2024 18-42 | technical changes reserved

Accessories

LOCKNUT-M20-316SS-(10/BAG)

A9194



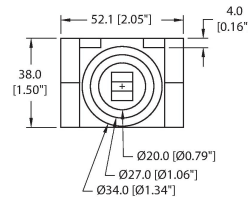
Locknut, M20, 316 Stainless Steel, 10 per bag

DECAL,9-CLRS,RECEPT+BOXES,EURO(QTY1)

100008955

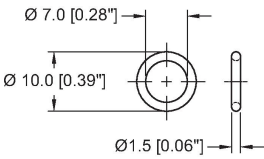


1 decal sticker containing 9 different color sets of 11 decals to color code a sensor, junction block port, cable end, or receptacle. 5ct 4x9mm rectangles, 4ct 8x19mm rectangles, 1ct 27mm ID ring, 1ct 20mm ID ring.



ORING-Ø7x1.5-M12-(10/BAG)

100024937



10 pack of Ø7x1.5 FKM O-rings for female M12 connectors