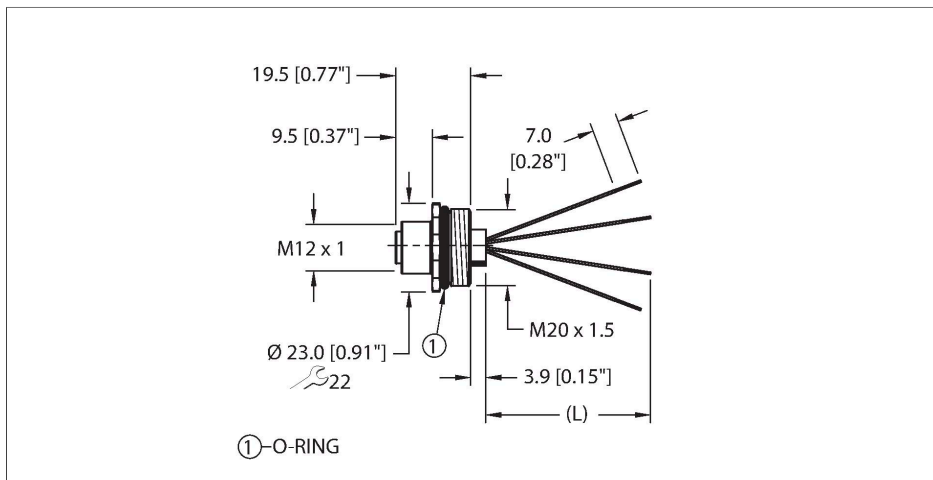


# FK46PS-2/M20

## M12 Power Receptacle – Front Mount



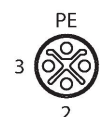
### Features



- Female M12 powerfast Receptacle
- M12 Power, Female, Receptacle, Front mount, 4-pin, S-code
- Mounting thread: M20 × 1.5

### Contact assignment

Connector A



### Circuit Diagram



### Technical data

Type	FK46PS-2/M20
ID	U2-29267
Connector A	Female, M12 × 1, S-code
Design specification	Acc. to IEC 61076-2-111
Number of contacts	4
Contacts	Brass, CuZn, Gold-plated
Contact carriers	Plastic, PA, Black
Connector seal	O-ring, Plastic, FKM/FPM
Housing material/finish	Brass, CuZn, Nickel-plated
Tightening torque (range)	0.4 ... 1 Nm (note max. torque of mating connector!)
Mounting orientation	Front mount
Panel seal	O-ring, NBR
Mounting thread	M20 × 1.5
Receptacle mounting torque	3.5...9.6 Nm
Mechanical life	> 100 Mating cycles
Pollution degree	3
Protection class (When coupled)	IP68
	NEMA: 1, 3, 4, 6P
<b>Conductor data</b>	
Total number of conductors	4
Length (L)	2 m, 2 m, (+50mm or 4% of length/-0.0, Whichever is greater)
Conductor material	TC (tinned copper)

**Technical data**

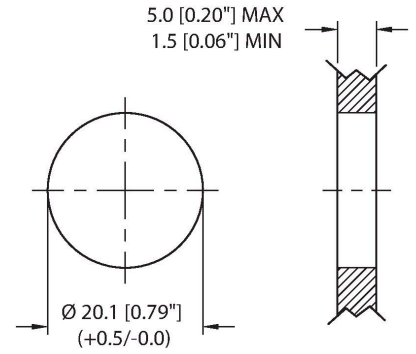
Conductor insulation material	PVC
Conductor size	4
Conductor colors	BK1, BK2, BK3, GN/YE
<b>Electrical properties at +20 °C</b>	
Rated voltage	600 V
Current	12 A
<b>Mechanical and chemical properties</b>	
Ambient temperature range (static)	-40...+85 °C

**Note**

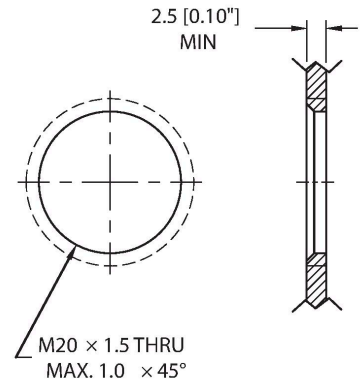
- CAUTION: RISK OF ELECTRICAL SHOCK. DO NOT DISCONNECT UNDER LOAD.

- We reserve the right to make technical alterations without prior notice.

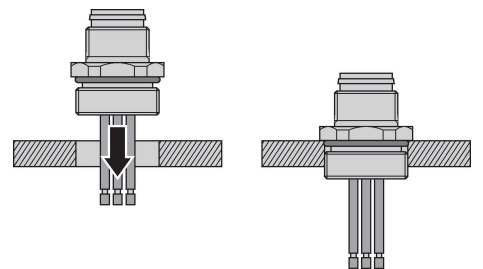
**Mounting hole - Through**



**Mounting hole - Threaded**



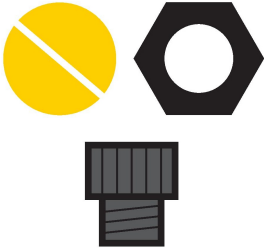
**Front panel mounting**



Accessories

**LOCKNUT-M20-316SS-(10/BAG)**

**A9194**



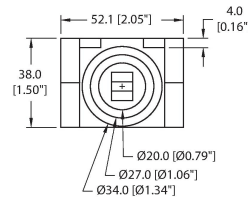
Locknut, M20, 316 Stainless Steel, 10 per bag

**DECAL,9-CLRS,RECEPT+BOXES,EURO(QTY1)**

**100008955**

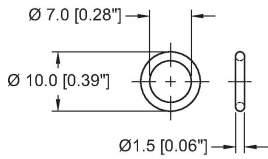


1 decal sticker containing 9 different color sets of 11 decals to color code a sensor, junction block port, cable end, or receptacle. 5ct 4x9mm rectangles, 4ct 8x19mm rectangles, 1ct 27mm ID ring, 1ct 20mm ID ring.



**ORING-Ø7x1.5-M12-(10/BAG)**

**100024937**



10 pack of Ø7x1.5 FKM O-rings for female M12 connectors