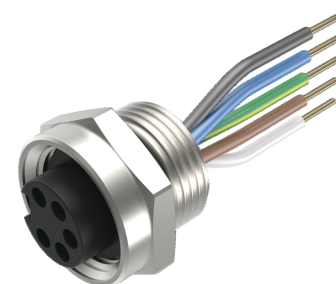
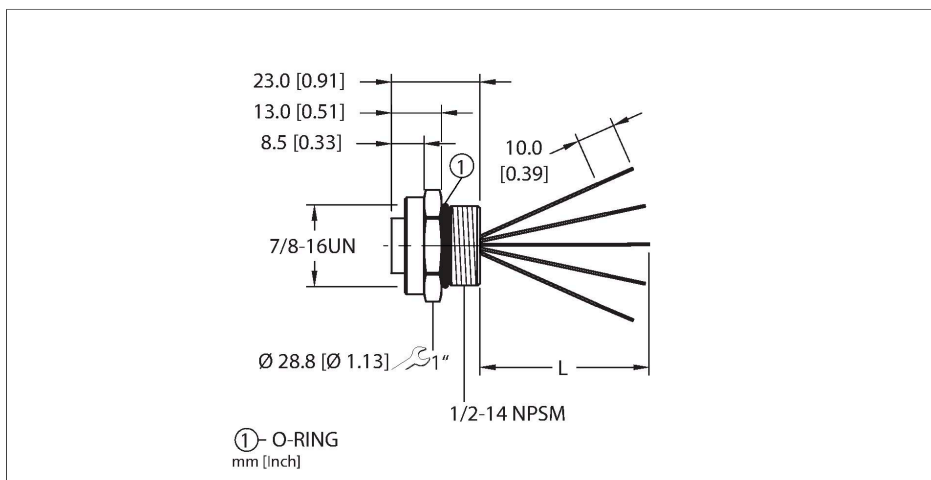


RKF 50-0.5M

Industrial flange connector – Front Mount



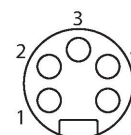
Features



- 7/8" minifast, Female, Receptacle, 5-pin
- Mounting thread: 1/2"-14 NPSM

Contact assignment

Connector A



Circuit Diagram



Technische Daten

Type	RKF 50-0.5M
ID	U2304-05
Connector A	Female, 7/8"-16 UN
Number of contacts	5
Contacts	Brass, CuZn, Gold-plated
Contact carriers	Plastic, TPU, Black
Housing material/finish	Brass, CuZn, Nickel-plated
Tightening torque (range)	0.8 ... 2 Nm (note max. torque of mating connector!)
Mounting orientation	Front mount
Panel seal	O-ring, Plastic, NBR
Mounting thread	1/2"-14 NPSM
Receptacle mounting torque	6.8...27.1 Nm
Mechanical life	> 100 Mating cycles
Pollution degree	3
Protection class (When coupled)	IP67, IP68, IP69, IP69K NEMA: 1, 3, 4, 6P, 12
Total number of conductors	5
Length (L)	0.5 m
Conductor material	TC (tinned copper)
Conductor insulation material	PVC
Conductor size	18 AWG [Similar to 0.75 mm ²]
Conductor colors	BK, BU, GN/YE, BN, WH

Technische Daten

Electrical properties at +20 °C

Rated voltage 600 V

Current 9 A

Mechanical and chemical properties

Ambient temperature range (static) -40...+105 °C

Approvals
UL 2238
CSA C22.2 No. 182.3
CE
RoHS

Note

- We reserve the right to make technical alterations without prior notice.

Front panel mounting

