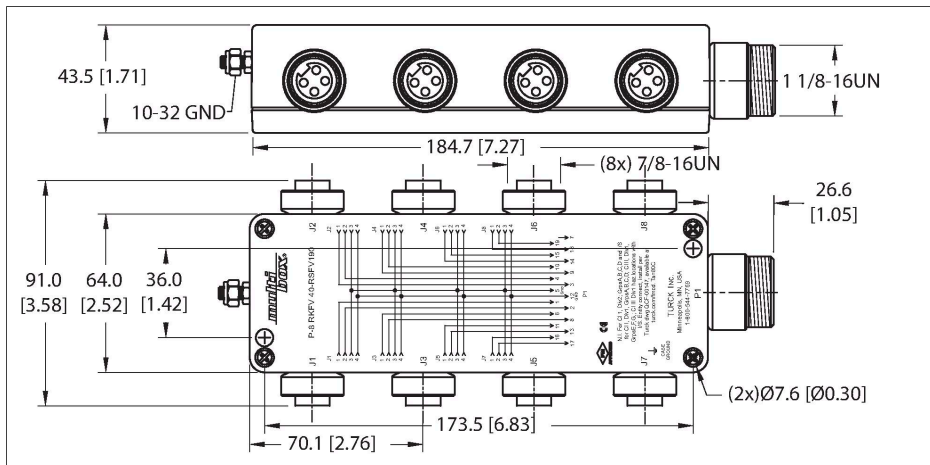


# P-8 RKFV 40-RSFV190

## Hazardous Location Junction Box, 8-port – 7/8" minifast I/O Ports



### Technical data

Type	P-8 RKFV 40-RSFV190
ID	U3-10842
Distributed I/O	Junction box, 8 -port, with 1 1/8" homerun connector
Housing	Aluminum, Powder coating, Black
I/O Port	Female, 7/8"-16 UN
Number of contacts	4
Contacts	Brass, CuZn, Gold-plated
Contact carriers	Plastic, TPU, Black
Housing material/finish	Brass, CuZn, Nickel-plated
Tightening torque	2 Nm
Mechanical life	> 100 Mating cycles
Protection class (When coupled)	IP67
Homerun connector	Male, 1 1/8"-16UN
Number of contacts	19
Contacts	Brass, CuZn, Gold-plated
Contact carriers	Plastic, TPU, Yellow
Housing material/finish	Stainless Steel, 1.4401 (AISI 316), Passivated
Tightening torque	3 Nm
Mechanical life	> 100 Mating cycles
Protection class (When coupled)	IP67

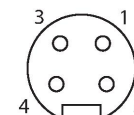
### Features



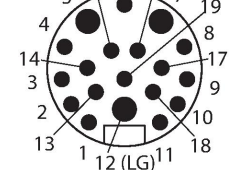
- 7/8" minifast Junction Box
- 8 ports
- Side exit 1 1/8" minifast home run connector
- Aluminum housing
- I/O port: 4-pin

### Contact assignment

I/O Connector



Homerun connector



## Technical data

### Electrical properties at +20 °C

Rated voltage	250 V <sub>AC</sub> /300 V <sub>DC</sub>
Current	2 A per signal contact, total current 8 A

### Mechanical and chemical properties

Ambient temperature range (static)	-40...+80 °C
------------------------------------	--------------

Approvals	FM Div.1 FM Div.2 CE
-----------	----------------------------

### Note

- We reserve the right to make technical alterations without prior notice.

## Circuit Diagram

