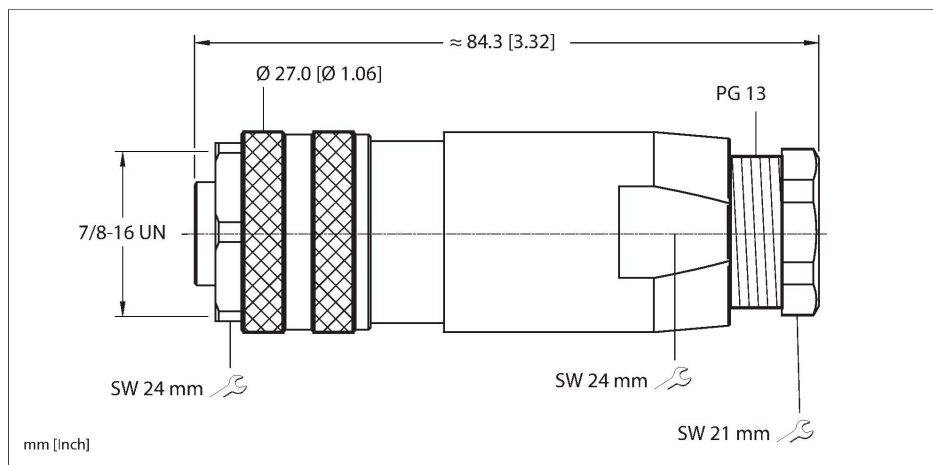


# B 4131-0/13.5

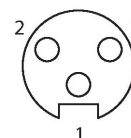
## Actuator and Sensor Field Wireable – 7/8" Connection



### Features

- 
- 7/8" Female, Straight, 3-pin
- Plastic Housing
- Screw terminal Wire Termination

### Contact assignment



### Technical data

Type	B 4131-0/13.5
ID	U6310-1
Connector A	Female, 7/8"-16 UN, Straight
Number of contacts	3
Contacts	Brass, CuSn, Gold-plated
Contact carriers	Plastic, Nylon or TPU, Black
Connector body	Plastic, PBT, Black
Coupling nut	Zinc-Aluminum, CuZn, Nickel-plated
Acceptable cable diameter	10...12 mm
Core cross-section/terminal capacity	14 AWG
Connection mode	Screw/clamp connection
Mechanical life	> 50 Mating cycles
Pollution degree	3
Protection class (When coupled)	IP67
<b>Electrical properties at +20 °C</b>	
Rated voltage	600 V
Current	12 A (16 AWG) / 15 A (14 AWG)
<b>Mechanical and chemical properties</b>	
Ambient temperature range (static)	-25 °C...+85 °C
Approvals	UL Recognized RoHS
<b>Note</b>	

- We reserve the right to make technical alterations without prior notice.