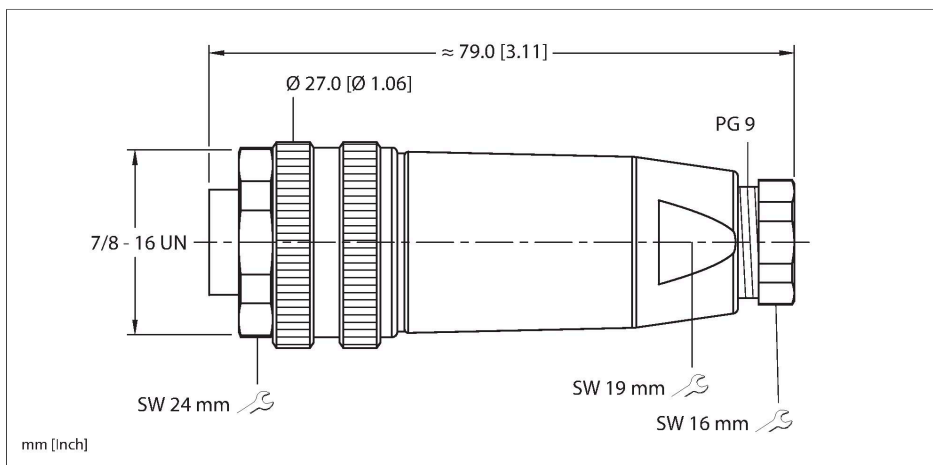


# B 4131-0/9

## Actuator and Sensor Field Wireable – 7/8" Connection

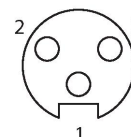


### Features



- 7/8" Female, Straight, 3-pin
- Plastic Housing
- Screw terminal Wire Termination

### Contact assignment



### Technical data

|  |                                    |
|--|------------------------------------|
| Type   | B 4131-0/9                         |
| ID   | U6310                              |
| Connector A  | Female, 7/8"-16 UN, Straight       |
| Number of contacts   | 3                                  |
| Contacts   | Brass, CuSn, Gold-plated           |
| Contact carriers   | Plastic, Nylon or TPU, Black       |
| Connector body   | Plastic, PBT, Black                |
| Coupling nut   | Zinc-Aluminum, CuZn, Nickel-plated |
| Acceptable cable diameter  | 6...8 mm                           |
| Core cross-section/terminal capacity                                       | 14 AWG                             |
| Connection mode  | Screw/clamp connection             |
| Mechanical life  | > 50 Mating cycles                 |
| Pollution degree   | 3                                  |
| Protection class (When coupled)  | IP67                               |
| <b>Electrical properties at +20 °C</b>                                     |                                    |
| Rated voltage  | 600 V                              |
| Current  | 12 A (16 AWG) / 15 A (14 AWG)      |
| <b>Mechanical and chemical properties</b>                                  |                                    |
| Ambient temperature range (static)   | -25 °C...+85 °C                    |
| Approvals  | UL Recognized<br>RoHS              |
| <b>Note</b>  |                                    |
| - We reserve the right to make technical alterations without prior notice. |                                    |