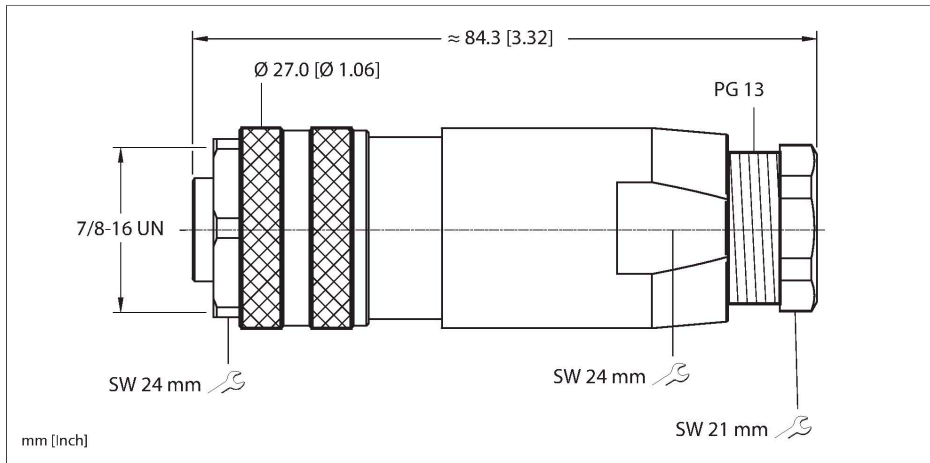


B 4141-0/13.5

Actuator and Sensor Field Wireable – 7/8" Connection



Technical data

Type	B 4141-0/13.5
ID	U6413
Connector A	Female, 7/8"-16 UN, Straight
Number of contacts	4
Contacts	Brass, CuSn, Gold-plated
Contact carriers	Plastic, Nylon or TPU, Black
Connector body	Plastic, PBT, Black
Coupling nut	Zinc-Aluminum, CuZn, Nickel-plated
Acceptable cable diameter	10...12 mm
Core cross-section/terminal capacity	14 AWG
Connection mode	Screw/clamp connection
Mechanical life	> 50 Mating cycles
Pollution degree	3
Protection class (When coupled)	IP67
Electrical properties at +20 °C	
Rated voltage	600 V
Current	9 A (16 AWG) / 15 A (14 AWG)
Mechanical and chemical properties	
Ambient temperature range (static)	-25 °C...+85 °C
Approvals	UL Recognized RoHS
Note	

- We reserve the right to make technical alterations without prior notice.

Features

-
- 7/8" Female, Straight, 4-pin
- Plastic Housing
- Screw terminal Wire Termination

Contact assignment

