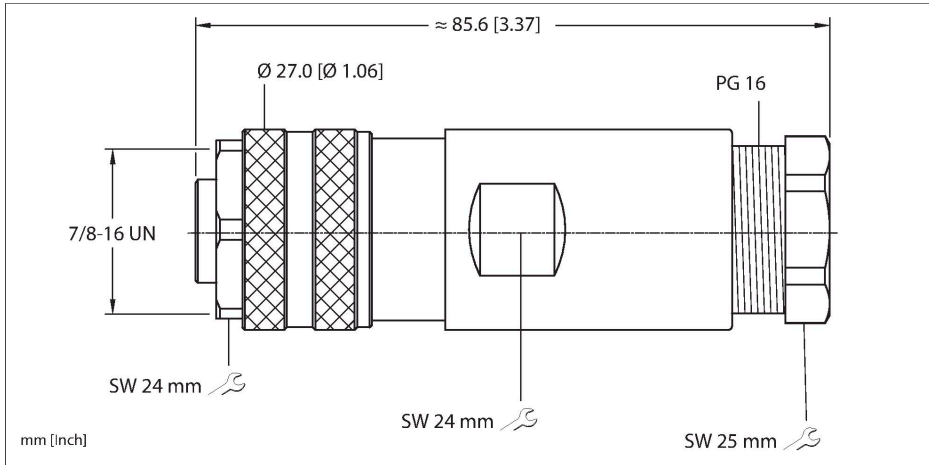


# B 4151-0/16

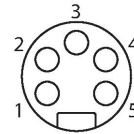
## Actuator and Sensor Field Wireable – 7/8" Connection



### Features

- 
- 7/8" Female, Straight, 5-pin
- Plastic Housing
- Screw terminal Wire Termination

### Contact assignment



### Technical data

Type	B 4151-0/16
ID	U6418
Connector A	Female, 7/8"-16 UN, Straight
Number of contacts	5
Contacts	Brass, CuSn, Gold-plated
Contact carriers	Plastic, Nylon or TPU, Black
Connector body	Plastic, PBT, Black
Coupling nut	Zinc-Aluminum, CuZn, Nickel-plated
Acceptable cable diameter	12...14 mm
Core cross-section/terminal capacity	16 AWG
Connection mode	Screw/clamp connection
Mechanical life	> 50 Mating cycles
Pollution degree	3
Protection class (When coupled)	IP67
<b>Electrical properties at +20 °C</b>	
Rated voltage	600 V
Current	9 A
<b>Mechanical and chemical properties</b>	
Ambient temperature range (static)	-40 °C...+90 °C
Approvals	UL Recognized RoHS
<b>Note</b>	

- We reserve the right to make technical alterations without prior notice.