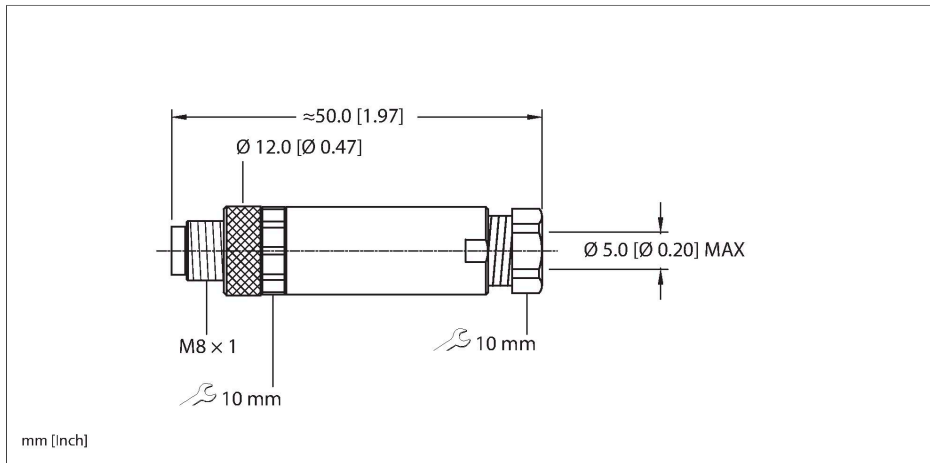


# BS 5133-0

## Actuator and Sensor Field Wireable – M8 × 1, Male, Straight



### Technische Daten

Type	BS 5133-0
ID	U6512
Connector A	Male, M8 × 1, Straight
Design specification	Acc. to IEC 61076-2-104
Number of contacts	3
Contacts	Brass, CuZn, Gold-plated
Contact carriers	Plastic, PA 66 (UL 94 HB), Black
Connector body	Plastic, PBT, Black
Coupling nut	Brass, CuZn, Nickel-plated
Tightening torque (range)	0.4 ... 0.8 Nm (note max. torque of mating connector!)
Acceptable cable diameter	3.5...5 mm
Core cross-section/Clamping ability	0.14...0.5 mm <sup>2</sup>
Core cross-section/terminal capacity	26...20 AWG
Connection mode	Screw/clamp connection
Mechanical life	> 100 Mating cycles
Pollution degree	3
Protection class (When coupled)	IP67 NEMA: 1, 3, 4, 6P
<b>Electrical properties at +20 °C</b>	
Rated voltage	60 V <sub>AC</sub> /75 V <sub>DC</sub>
Current	4 A
<b>Mechanical and chemical properties</b>	
Ambient temperature range (static)	-40...+85 °C

### Features



- M8 connection
- Rated voltage: 75 VDC 60 VAC
- M8 male connector, straight, 3-pin
- Plastic housing
- Protection class: NEMA 1, 3, 4, 6P, IEC IP67
- Screw terminal Wire Termination
- Plastic housing

### Contact assignment



## Technische Daten

Approvals

RoHS

Note

- We reserve the right to make technical alterations without prior notice.