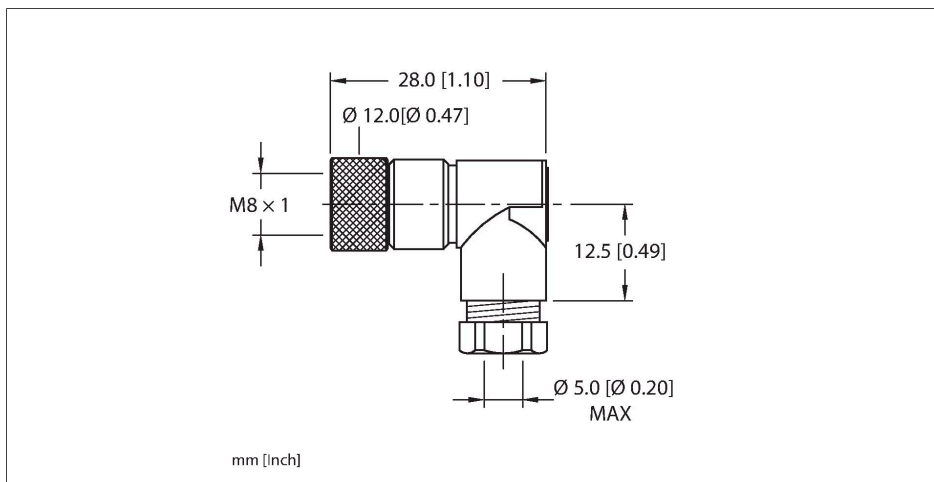


B 5231-0

Actuator and Sensor Field Wireable – M8 × 1, Female, Right Angle



Features



- 3 Pins
- Solder Wire Termination
- Plastic Housing

Contact assignment



Technical data

Type	B 5231-0
ID	U6515
Connector A	Female, M8 × 1, Right angle
Design specification	Acc. to IEC 61076-2-104
Number of contacts	3
Contacts	Brass, CuZn, Gold-plated
Connector body	Plastic, PA, Black
Coupling nut	Brass, CuZn, Nickel-plated
Connector seal	O-ring, Plastic, FKM/FPM
Tightening torque (range)	1.4 ... 6.8 Nm
Acceptable cable diameter	3...5 mm
Core cross-section/Clamping ability	24 mm ²
Connection mode	Solder contact
Mechanical life	> 100 Mating cycles
Pollution degree	3
Protection class (When coupled)	IP67
	NEMA: 1, 3, 4, 6P
Conductor size	24 AWG [Similar to 0.25 mm ²]
Electrical properties at +20 °C	
Rated voltage	60 V _{AC} /75 V _{DC}
Current	4 A

Technical data

Mechanical and chemical properties

Ambient temperature range (static) -40 °C...+85 °C

Approvals RoHS

Note

- We reserve the right to make technical alterations without prior notice.