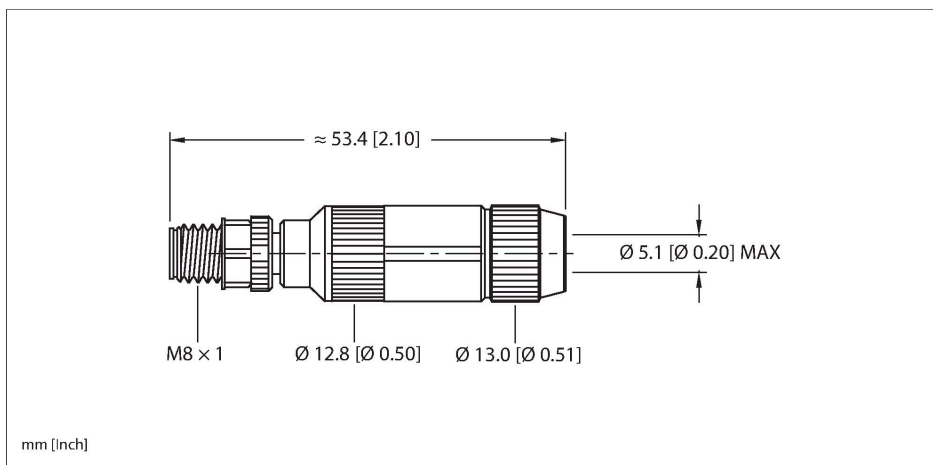


# BS 5146-0

## Actuator and Sensor Field Wireable – M8 × 1, Male, Straight



### Features



- 4 Pins
- Insulation displacement Wire Termination
- Plastic Housing

### Contact assignment



### Technische Daten

Type	BS 5146-0
ID	U6576
Housing	Die-cast zinc, Za, Chrome-plated
Connector A	Male, M8 × 1, Straight
Design specification	Acc. to IEC 61076-2-104
Number of contacts	4
Contacts	Brass, CuZn, Gold-plated
Contact carriers	Plastic, PA, Black
Connector body	Plastic, PA, Black
Coupling nut	Die-cast Zinc, CuZn, Nickel-plated
Tightening torque	4 Nm
Tightening torque (range)	0.4 ... 0.8 Nm (note max. torque of mating connector!)
Acceptable cable diameter	2.5...5.1 mm
Core cross-section/Clamping ability	0.14...0.34 mm <sup>2</sup>
Core cross-section/terminal capacity	26...22 AWG
Connection mode	Insulation displacement terminal
Mechanical life	> 100 Mating cycles
Pollution degree	3
Protection class (When coupled)	IP67
<b>Electrical properties at +20 °C</b>	
Rated voltage	32 V
Current	4 A
Insulation resistance	≥ 10 <sup>8</sup> Ω

## Technische Daten

forward resistance max. 10 Ω/km

<b>Mechanical and chemical properties</b>	
---	--

Ambient temperature range (static)	-40...+85 °C
------------------------------------	--------------

Approvals	RoHS
-----------	------

<b>Note</b>	
-------------	--

- We reserve the right to make technical alterations without prior notice.
--