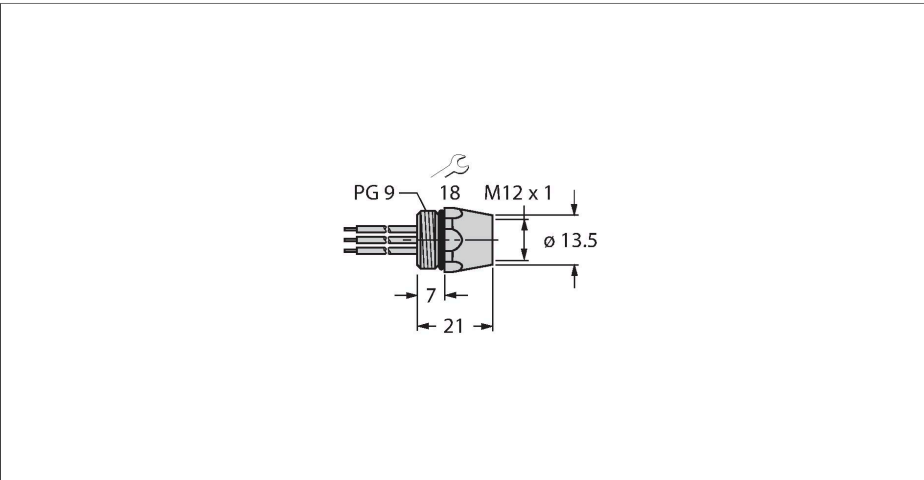


FKV 49 FOUNDATION™ fieldbus Receptacle – Front Mount



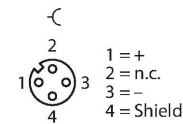
Features



- Female M12 eurofast Receptacle
- PG9 screw-in thread
- Stainless steel flange housing
- 4-pin, solderable
- For use in FOUNDATION fieldbus and PROFIBUS-PA applications

FOUNDATION™ fieldbus Connection

PROFIBUS-PA Connection



Technische Daten

Type	FKV 49
ID	U7324
Connector A	Female, M12 × 1, A-code
Number of contacts	4
Contacts	Metal, CuZn, Gold-plated
Contact carriers	Plastic, TPU, Yellow
Connector seal	Plastic, NBR
Housing material/finish	Stainless Steel, 1.4401 (AISI 316), Passivated
Mounting orientation	Front mount
Panel seal	O-ring
Mounting thread	PG9
Locknut	Stainless Steel, Passivated
Connection mode	Solder contact
Mechanical life	> 100 Mating cycles
Pollution degree	3
Protection class (When coupled)	IP68, (screwed together)
Fieldbus	FOUNDATION fieldbus
Electrical properties at +20 °C	
Rated voltage	250 V
Current	4 A
Insulation resistance	≥ 10 ⁸ Ω
forward resistance	≤ 5 mΩ

Technische Daten

Mechanical and chemical properties

Ambient temperature range (static)	-40...+105 °C
------------------------------------	---------------

Ambient temperature range (dynamic)	-40...+90 °C
-------------------------------------	--------------

Approvals	CE
-----------	----

Note

- We reserve the right to make technical alterations without prior notice.