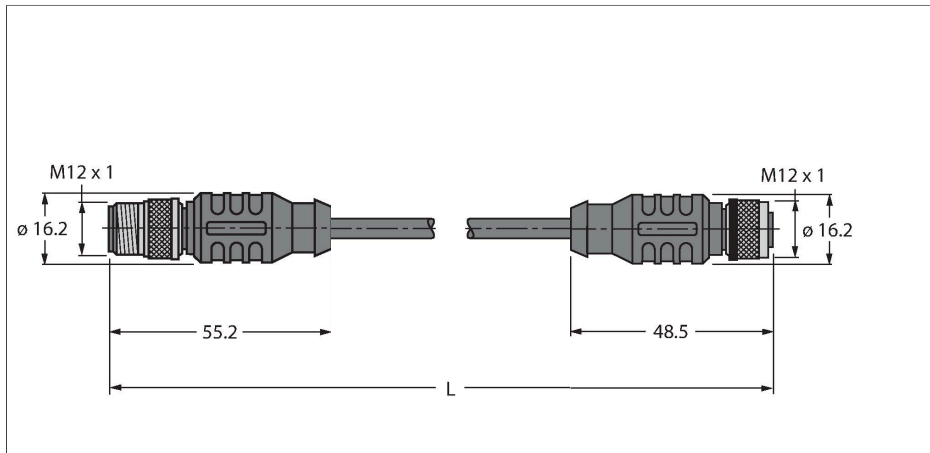


RSS RKS 841-5M

Industrial Ethernet Cable – Extension Cable



Features

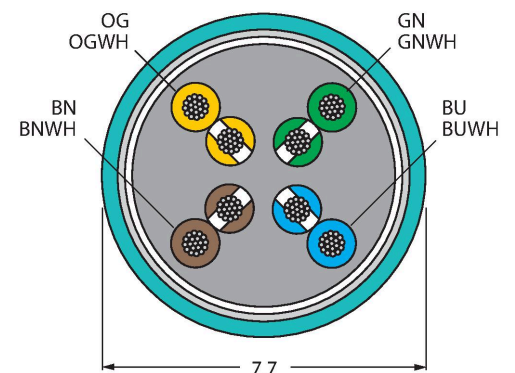


- M12 male connector, straight, 8-pin
- M12 female connector, straight, 8-pin
- Jacket material: TPE, shielded
- Jacket color: green
- Jacket diameter: 7.7 mm
- Protection class: IP67
- M12 female, straight, 8-pin
- M12 male, straight, 8-pin
- Cable length: 5.0 m

Technische Daten

| | |
|---------------------------------|---|
| Type | RSS RKS 841-5M |
| ID | U8602-05 |
| Connector A | Male, M12 × 1, Straight, A-code |
| Number of contacts | 8 |
| Contacts | Metal, CuZn, Gold-plated |
| Contact carriers | Plastic, TPU, Black |
| Connector body | Plastic, TPU, Black |
| Coupling nut | Brass, CuZn, Nickel-plated |
| Tightening torque (range) | 0.8 ... 1 Nm (note max. torque of mating connector!) |
| Mechanical life | > 100 Mating cycles |
| Pollution degree | 3 |
| Protection class (When coupled) | IP67, When coupled |
| Connector B | Female, M12 × 1, Straight, A-code |
| Number of contacts | 8 |
| Contacts | Metal, CuZn, Gold-plated |
| Contact carriers | Plastic, TPU, Black |
| Connector body | Plastic, TPU, Black |
| Coupling nut | Brass, CuZn, Nickel-plated |
| Seal | Plastic, FPM/FKM |
| Tightening torque | 0.8 ... 1 Nm (note max. torque of mating connector!) |
| Mechanical life | > 100 Mating cycles |
| Pollution degree | 3 |
| Protection class (When coupled) | IP67, Only when screwed together |

Cable cross section



Contact assignment



Technische Daten

| Cable data | |
|--|--|
| Fieldbus | Ethernet, 841 |
| Cable diameter | Ø 7.7 mm |
| Length (L) | 5 m |
| Cable jacket | TPE, Green |
| Shielding | yes |
| Conductor insulation material | PE |
| Conductor size | 8 x 0.21 mm ² |
| Conductor colors | WH/BU, WH/BN, BN, OG, WH/GN, WH/OG, BU, GN |
| Electrical properties at +20 °C | |
| Rated voltage | 60 V |
| Current | 2 A |
| DC resistance (loop) | 94 Ω/km |
| Nom. impedance | 100 Ω (1 MHz) |
| Nom. capacitance | 46 pF/m |
| Mechanical and chemical properties | |
| Bending radius (dynamic) | ≥ 10 x Ø |
| Bending cycles | ≥ 1 million |
| Ambient temperature range (static) | -40...+80 °C |
| Ambient temperature range (dynamic) | -40...+80 °C |
| Other Features | |
| Qualified for drag chain use | yes |
| UV resistance | yes |
| Oil-resistant | yes |
| Approvals | UL |
| Note | |
| - We reserve the right to make technical alterations without prior notice. | |