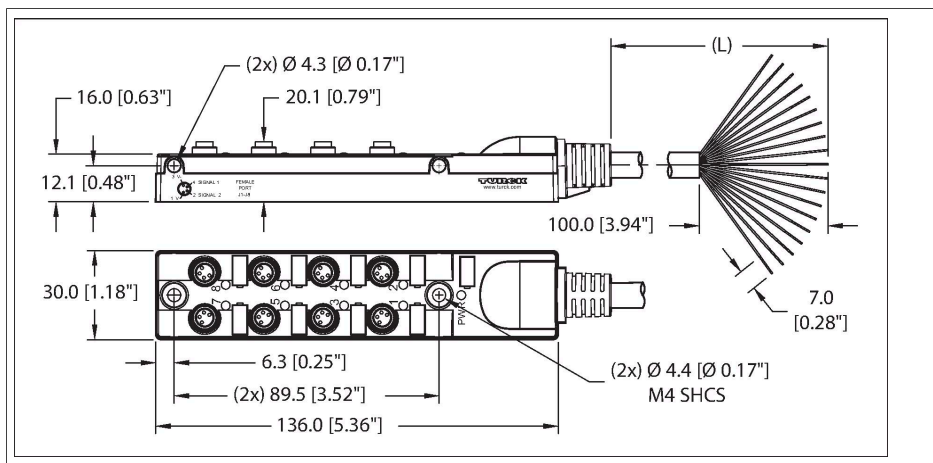


TB-8M8Z-4-5

Junction Box - Actuator/Sensor, 8-port – M8 snap, 4 pole I/O port with cable homerun



Technical data

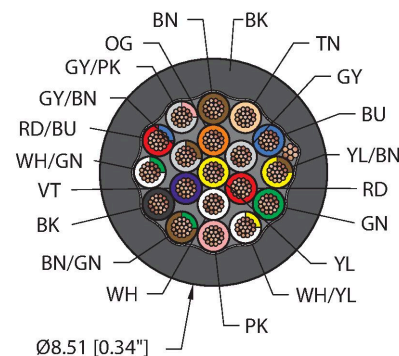
Type	TB-8M8Z-4-5
ID	UX00417
Distributed I/O	Junction box, 8, with integral homerun cable
Housing	Plastic, PA 6 GF30, Black
I/O Port	Female, Ø 8 mm
Design specification	Acc. to IEC 61076-2-104
Number of contacts	4
Contacts	Brass, CuZn, Gold-plated
Contact carriers	Plastic, PA 6 GF15, Black
Connector seal	O-ring, Plastic, FKM/FPM
Mechanical life	> 100 Mating cycles
Pollution degree	3
Protection class (When coupled)	IP67
Homerun connector	Cable, Side exit
Cable data	
Cable ID	RF50995
Total number of conductors	19
Cable diameter	Ø 8.51 mm
Length (L)	5 m, (+50mm or 4% of length/-0.0, Whichever is greater)
Cable jacket	PVC, Black
Shield	Aluminum/polyester (IN)

Features



- Housing material: Nylon
- Housing color: Black
- Fully encapsulated
- Protection class: IEC: IP67
- UL listed
- CE compliant
- RoHS compliant
- I/O port: 4-pin
- Instrumentation Tray Cable
- Black PVC jacket, shielded, 19X22 AWG
- Sunlight Resistant
- -40 Cold Bend Rating
- Oil Resistant
- Flame Ratings: UL 1685 FT4, UL1061, CSA FT4
- Cable length: 5 m

Cable cross section



TB-8M8Z-4-5 | 09/20/2022 20-26 | technical changes reserved

Technical data

Cable drain	24 AWG, TC (Tinned Copper)
Conductor diameter	0.048 "
Conductor material	TC (tinned copper)
Conductor insulation material	SR-PVC
Conductor size	19 x 22 AWG [Similar to 0.34 mm ²]
Number of strands x O.D.	19 x 0.0058 "
Conductor colors	YL, OG, GY, RD, WH, VT, GY/BN, RD/BU, GY/PK, BN, TN, BU, YL/BN, GN, WH/YL, PK, BN/GN, BK, WH/GN

Electrical properties at +20 °C

Rated voltage	30 VDC
Rated voltage	DC VDC
Current	2 A per signal contact, total current 6 A

Mechanical and chemical properties

Bending radius (static)	≥ 5 x Ø
Bending radius (dynamic)	≥ 15 x Ø
UL cold bend rating	-40 °C
Ambient temperature range (static)	-40 °C...+85 °C
Ambient temperature range (dynamic)	5 °C...+85 °C
Temperature range (installation)	-10 °C...+85 °C

Approval

Approvals	CE RoHS
-----------	------------

Note

- Flex ratings may be reduced if used in extreme temperatures, exposure to certain chemicals, operating above the rated cycle speed, or operating below the rated cable bend radius.

- We reserve the right to make technical alterations without prior notice.

Contact assignment

I/O Connector



Scope of delivery

Device	Quantity	Description
Junction boxes	1	Passive actuator/sensor junction box
PSGK-MC	2	Closure caps for M8 female connectors
KS5/10	9	Labels

Accessories

Ident-No.	Part Number	Description
U0915-69	BKM 19-995-5	Connection cordset, female, M16, 14-pin, straight, 5m * (homerun)
U2-07160	BK 19-0	Field-wireable, female, M16, 19-pin, straight
U2-07159	BS 19-0	Field-wireable, male, M16, 19-pin, straight
U99-11323	PSG 4-2	Cordset, male, Ø 8 mm (snap), 4-pin, straight, 2m * (I/O port)
U0883-63	PSW 4-2	Cordset, male, Ø 8 mm (snap), 4-pin, right-angle, 2m * (I/O port)
A1050	KS 5/10 (10/LABELS)	Labels
U2-11982	PSGK-MC (8/BAG)	Dust cap, male, Ø 8 mm (snap), (8/BAG)
A900154	TORQUE-WRENCH-SET-M12&M8-LEGACY	Torque wrench set, Torque driver, torque setting tool, M12 fitting, M8 fitting.
A900102	PICOBX ADAPTOR PLATE, 8 PORT (1PACK)	For mounting new style picobox to existing mounting holes. Allows new picobox to utilize the previous version mounting hole locations.

* Other lengths available on request

Circuit Diagram

