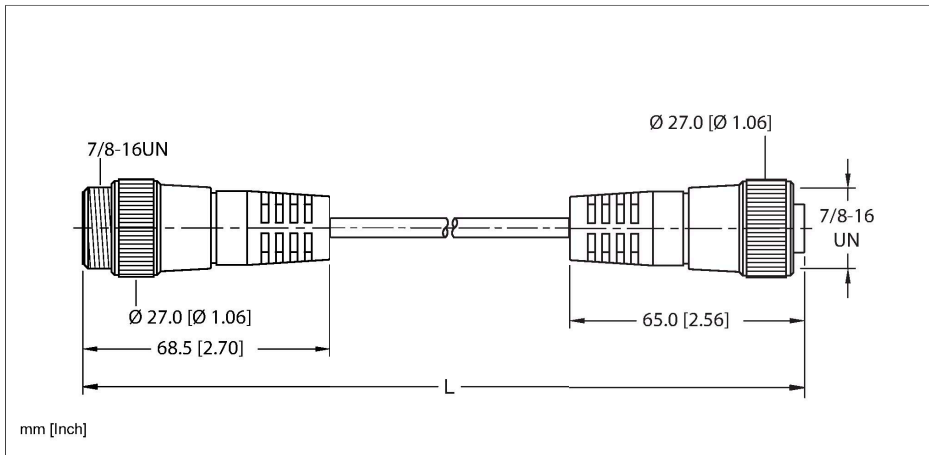


P-RSV RKV 40-335-25M

Hazardous Location Cordset – Extension Cable



Technical data

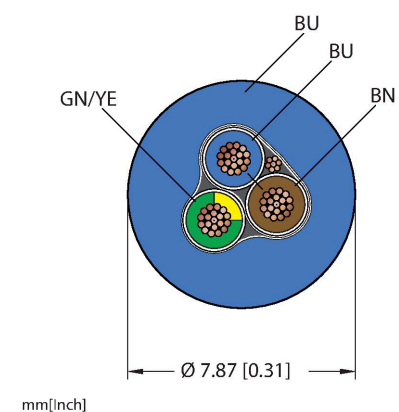
Type	P-RSV RKV 40-335-25M
ID	UX02132
Connector A	Male, 7/8"-16 UN, Straight
Number of contacts	4
Contacts	Brass, CuZn, Gold-plated
Contact carriers	Plastic, TPU, Yellow
Connector body	Plastic, TPU, Black
Coupling nut	Stainless Steel, 316 (1.4404), Passivated
Tightening torque	2 Nm
Mechanical life	> 100 Mating cycles
Pollution degree	3
Protection class (When coupled)	IP67, IP68, IP69, IP69K
	NEMA: 1, 3, 4, 4X, 6P, 12
Connector B	Female, 7/8"-16 UN, Straight
Number of contacts	4
Contacts	Brass, CuSn, Gold-plated
Contact carriers	Plastic, TPU, Yellow
Connector body	Plastic, TPU, Black
Coupling nut	Stainless Steel, 316 (1.4404), Passivated
Tightening torque	2 Nm
Mechanical life	> 100 Mating cycles
Pollution degree	3
Protection class (When coupled)	IP67, IP68, IP69, IP69K
	NEMA: 1, 3, 4, 4X, 6P, 12

Features



- 7/8" Male, Straight, 4-pin
- 7/8" Female, straight, 4-pin
- Shielded Twisted Pair
- Instrumentation Tray/Exposed Run/Direct Burial Cable
- Blue PVC jacket, 1STPDX18+1X18 AWG
- Sunlight Resistant
- -40 Cold Bend Rating
- Oil Resistant
- Flame Ratings: UL 1685 FT4, IEEE 1202 FT4, CSA FT1, CSA FT4, IEC 60332-3-22

Cable cross section



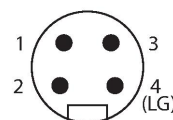
Contact assignment

P-RSV RKV 40-335-25M | 01/14/2026 17-49 | technical changes reserved

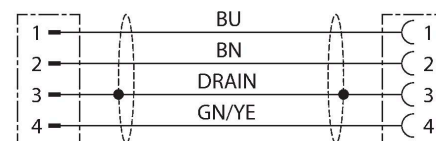
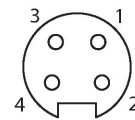
Technical data

Cable data	
Cable ID	RF51335
Total number of conductors	3
Cable diameter	Ø 7.87 mm
Length (L)	25 m
Cable jacket	PVC, Blue
Conductor diameter	0.086 "
Conductor material	TC (tinned copper)
Conductor insulation material	PVC/Nylon (Nylon overcoat)
Conductor size	1 x 18 AWG [Similar to 0.75 mm ²]
Number of strands x O.D.	19 x 0.0092 "
Conductor colors	BU, BN, GNYE
Description of assembly	STPD (Shielded Twisted Pair, Drain)
Number of pairs	1
Conductor diameter	0.086 "
Conductor insulation material	PVC/N
Assembly drain	20 AWG, TC (Tinned Copper)
Assembly foil	Aluminum/polyester (IN)
Cable conductor cross-section	2x18 AWG [Similar to 0.75 mm ²]
Number of strands x O.D.	19x0.0092 "
Electrical properties at +20 °C	
Rated voltage	300 V
Current	9 A
Mechanical and chemical properties	
Bending radius (static)	≥ 5 x Ø
Bending radius (dynamic)	≥ 15 x Ø
UL cold bend rating	-40 °C
Ambient temperature range (static)	-40...+105 °C
Ambient temperature range (dynamic)	5...+105 °C
Temperature range (installation)	-20...+105 °C
Approval	
Approvals	UL 2238 FM Div.2 CSA Div. 2 ABS CSA C22.2 No. 182.3 CE RoHS

Connector A



Connector B



Technical data

Note

- CAUTION: RISK OF ELECTRICAL SHOCK. DO NOT DISCONNECT UNDER LOAD.

- Flex ratings may be reduced if used in extreme temperatures, exposure to certain chemicals, operating above the rated cycle speed, or operating below the rated cable bend radius.

- We reserve the right to make technical alterations without prior notice.
