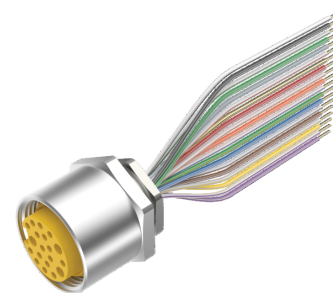
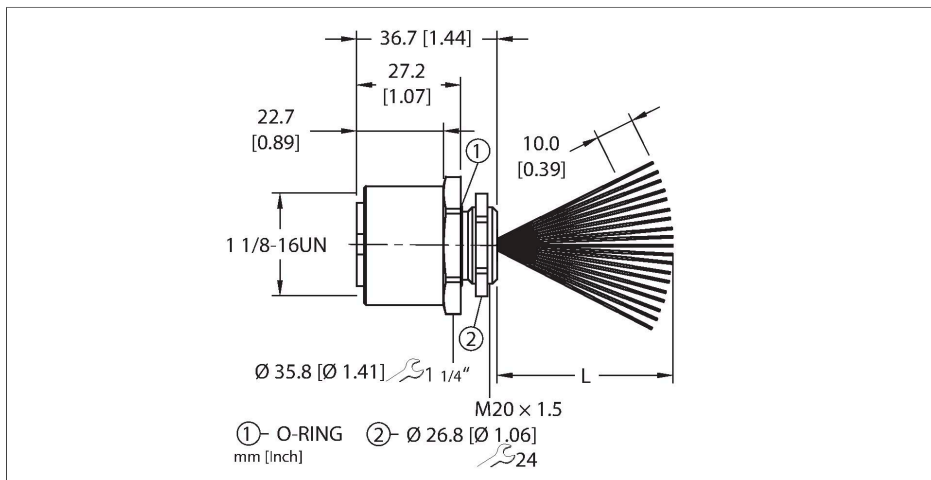


P-RKFV 190-3/M20

Hazardous Location Receptacle – Front Mount



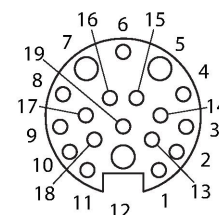
Features



- Female 1 1/8" minifast Receptacle, 19 pin
- Mounting thread: M20 x 1.5

Contact assignment

Connector A



Technical data

Type	P-RKFV 190-3/M20
ID	UX06594
Connector A	Female, 1 1/8"-16 UN
Number of contacts	19
Contacts	Brass, CuZn, Gold-plated
Contact carriers	Plastic, TPU, Yellow
Housing material/finish	Stainless Steel, 1.4401 (AISI 316), Passivated
Tightening torque	3 Nm
Mounting orientation	Front mount
Panel seal	O-ring, Plastic, NBR
Mounting thread	M20 x 1.5
Locknut	Stainless Steel, 1.4401 (AISI 316), Passivated
Receptacle mounting torque	3.5...9.6 Nm
Mechanical life	> 100 Mating cycles
Pollution degree	3
Protection class (When coupled)	IP67, IP68, IP69, IP69K
	NEMA: 1, 3, 4, 4X, 6P, 12
Total number of conductors	19
Length (L)	3 m
Conductor material	TC (tinned copper)
Conductor insulation material	PVC
Conductor size	18 x 22 AWG [Similar to 0.34 mm ²] 18 AWG [Similar to 0.75 mm ²]

Technical data

Conductor colors WH/BK, BK/WH, WH/GN, GN/WH, GY, WH/RD, RD/WH, WH/OG, OG/WH, WH/BU, GN/YE, BU/WH, WH/BN, BN/WH, WH/YE, YE/WH, WH/VT, VT/WH

Electrical properties at +20 °C

Rated voltage 300 V
 Current 4 A (Contacts 5,12) / 2 A (All other contacts)

Mechanical and chemical properties

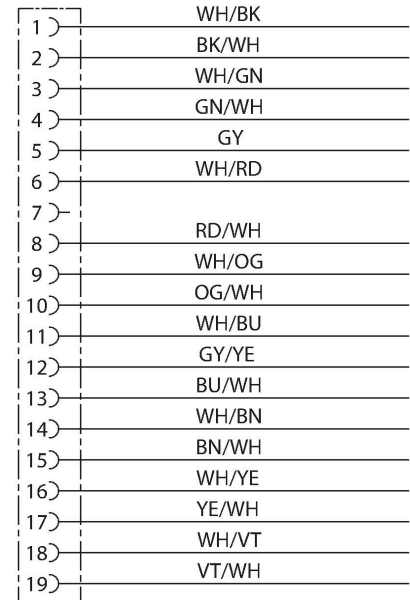
Ambient temperature range (static) -40...+105 °C
 Approvals UL 2238
 UL Div. 2
 FM Div.2
 CSA Div. 2
 CE
 RoHS

Note

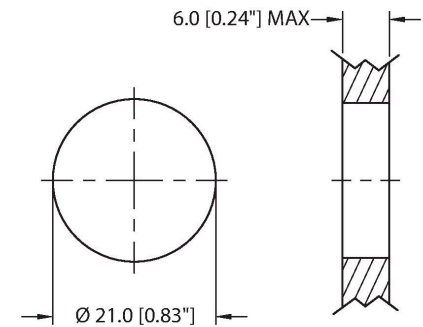
- CAUTION: RISK OF ELECTRICAL SHOCK. DO NOT DISCONNECT UNDER LOAD.

- We reserve the right to make technical alterations without prior notice.

Circuit Diagram



Mounting hole - Through



Front panel mounting

