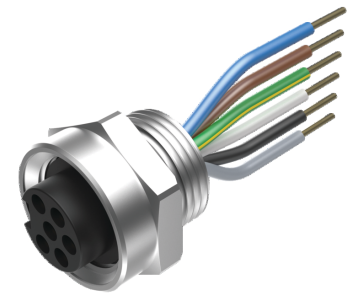
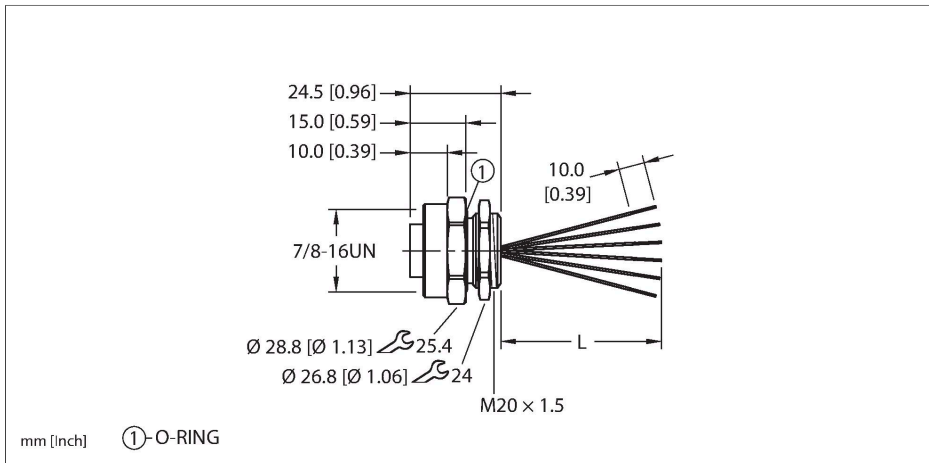


# P-RKFV 66D-3/M20

## Hazardous Location Receptacle – Front Mount



### Technical data

Type	P-RKFV 66D-3/M20
ID	UX12456
Connector A	Female, 7/8"-16 UN
Number of contacts	6
Contacts	Brass, CuZn, Gold-plated
Contact carriers	Plastic, TPU, Black
Housing material/finish	Stainless Steel, 1.4401 (AISI 316), Passivated
Tightening torque	2 Nm
Mounting orientation	Front mount
Panel seal	O-ring, Plastic, NBR
Mounting thread	M20 × 1.5
Locknut	Stainless Steel, 1.4401 (AISI 316), Passivated
Receptacle mounting torque	3.5...9.6 Nm
Mechanical life	> 100 Mating cycles
Pollution degree	3
Protection class (When coupled)	IP67, IP68, IP69, IP69K NEMA: 1, 3, 4, 4X, 6P, 12
Total number of conductors	6
Length (L)	3 m
Conductor material	TC (tinned copper)
Conductor insulation material	PVC
Conductor size	6 x 16 AWG [Similar to 1.50 mm <sup>2</sup> ]
Conductor colors	BU, BN, GN/YE, WH, BK, GY

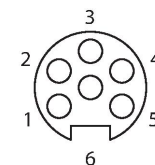
### Features



- 7/8" minifast, Female, Receptacle, 6-pin
- Mounting thread: M20 × 1.5

### Contact assignment

Connector A



### Circuit Diagram

1)	BU
2)	BN
3)	GN/YE
4)	WH
5)	BK
6)	GY

## Technical data

### Electrical properties at +20 °C

Rated voltage 600 V

Current 8 A

### Mechanical and chemical properties

Ambient temperature range (static) -40...+105 °C

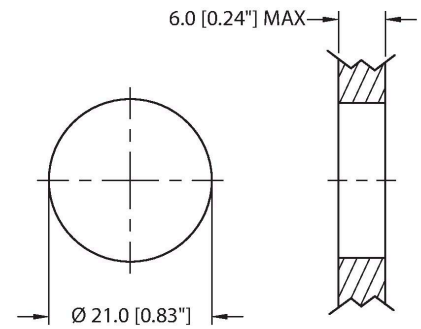
Approvals  
 UL 2238  
 UL Div. 2  
 FM Div.2  
 CSA Div. 2  
 CSA C22.2 No. 182.3  
 CE  
 RoHS

### Note

- CAUTION: RISK OF ELECTRICAL SHOCK. DO NOT DISCONNECT UNDER LOAD.

- We reserve the right to make technical alterations without prior notice.

## Mounting hole - Through



## Front panel mounting

