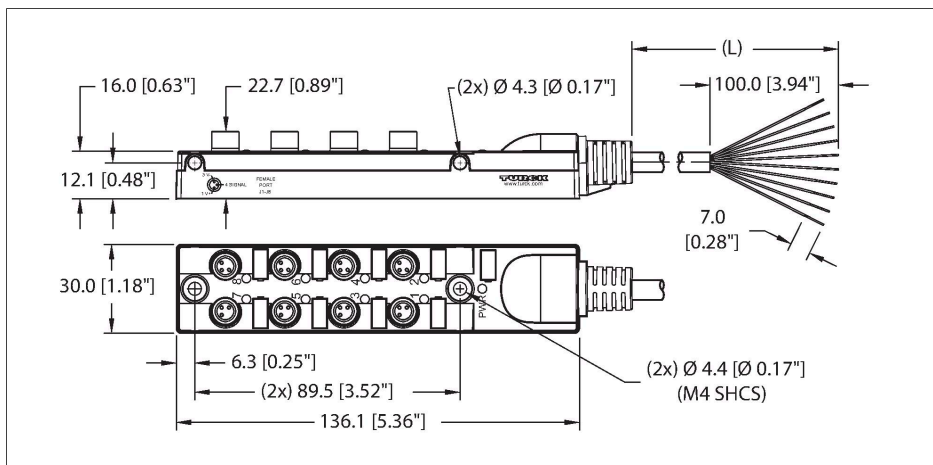


# TB-8M8M-3-5/S3478

## Junction Box - Actuator/Sensor, 8-port – M8, 3 pole I/O port with cable homerun



### Technical data

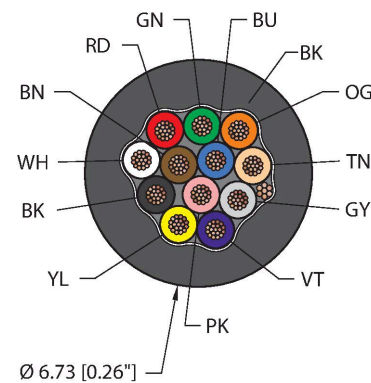
Type	TB-8M8M-3-5/S3478
ID	UX16805
Distributed I/O	Junction box, 8, with integral homerun cable
Housing	Plastic, PA 6 GF30, Black
I/O Port	Female, M8 × 1
Design specification	Acc. to IEC 61076-2-104
Number of contacts	3
Contacts	Brass, CuZn, Gold-plated
Contact carriers	Plastic, PA 4.6 GF30, Black
Connector seal	O-ring, Plastic, FKM/FPM
Housing material/finish	Brass, CuZn, Nickel-plated
Mechanical life	> 100 Mating cycles
Pollution degree	3
Protection class (When coupled)	IP67, IP68, IP69, IP69K NEMA: 1, 3, 4, 6P, 12
Homerun connector	Cable, Side exit
Cable data	
Cable ID	RF50755
Total number of conductors	12
Cable diameter	Ø 6.73 mm
Length (L)	5 m, (+50mm or 4% of length/-0.0, Whichever is greater)

### Features



- Housing material: Nylon
- Housing color: Black
- Fully encapsulated
- Protection class: IP67, IP68, IP69, IP69K; NEMA 1, 3, 4, 6P, 12
- RoHS compliant
- CE compliant
- I/O port: 3-pin
- General Purpose Cable
- Black PVC jacket, shielded, 12X24 AWG
- -40 Cold Bend Rating
- Flame Ratings: UL1061, CSA FT1
- Cable length: 5 m

### Cable cross section



TB-8M8M-3-5/S3478 | 09/20/2022 21-02 | technical changes reserved

## Technical data

Cable jacket	PVC, Black
Shield	Aluminum/polyester (IN)
Cable drain	26 AWG, TC (Tinned Copper)
Conductor diameter	0.044 "
Conductor material	TC (tinned copper)
Conductor insulation material	PVC
Conductor size	12 x 24 AWG [Similar to 0.25 mm <sup>2</sup> ]
Number of strands x O.D.	19 x 36 AWG
Conductor colors	BU, PK, BN, RD, GN, OG, TN, GY, VT, YL, BK, WH

### Electrical properties at +20 °C

Rated voltage	30 VDC
Rated voltage	DC VDC
Current	2 A per signal contact, total current 6 A

### Mechanical and chemical properties

Bending radius (static)	≥ 5 x Ø
Bending radius (dynamic)	≥ 15 x Ø
UL cold bend rating	-40 °C
Ambient temperature range (static)	-40 °C...+85 °C
Ambient temperature range (dynamic)	5 °C...+85 °C
Temperature range (installation)	-10 °C...+85 °C

### Approval

Approvals	CE UKCA RoHS
-----------	--------------------

### Note

- Flex ratings may be reduced if used in extreme temperatures, exposure to certain chemicals, operating above the rated cycle speed, or operating below the rated cable bend radius.

- We reserve the right to make technical alterations without prior notice.

## Contact assignment

I/O Connector



## Scope of delivery

Device	Quantity	Description
Junction boxes	1	Passive actuator/sensor junction box
PSGK-MC	2	Closure caps for M8 female connectors
KS5/10	9	Labels

## Accessories

Ident-No.	Part Number	Description
U0915-15	BKM 14-836-5	Connection cordset, female, M16, 14-pin, straight, 5m * (homerun)
100021084	BKM 14-755A-5	Connection cordset, female, M16, 14-pin, straight, 5m * (homerun) (power pair)
U2-07158	BK 14-0	Field-wireable, female, M16, 14-pin, straight (6-8mm)
A1050	KS 5/10 (10/LABELS)	Labels
U0135-6	PSG 3M-2	Cordset, male, M8x1, 3-pin, straight, 2m * (I/O port)
U0136-4	PSW 3M-2	Cordset, male, M8x1, 3-pin, right-angle, 2m * (I/O port)
U6427	PSGM-CC (8/BAG)	Dust cap, male, M8x1, (8/BAG)
A900154	TORQUE-WRENCH-SET-M12&M8-LEGACY	Torque wrench set, Torque driver, torque setting tool, M12 fitting, M8 fitting.
A900102	PICOBOX ADAPTOR PLATE, 8 PORT (1PACK)	For mounting new style picobox to existing mounting holes. Allows new picobox to utilize the previous version mounting hole locations.

\* Other lengths available on request

## Circuit Diagram

